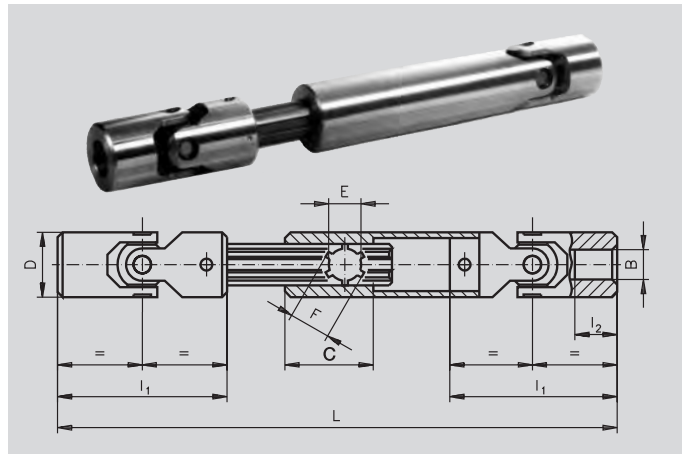


## Slip shafts with joints PWR

Material: Stainless steel 1.4301.

Max. operating angle per joint 45°.

Other lengths on request.

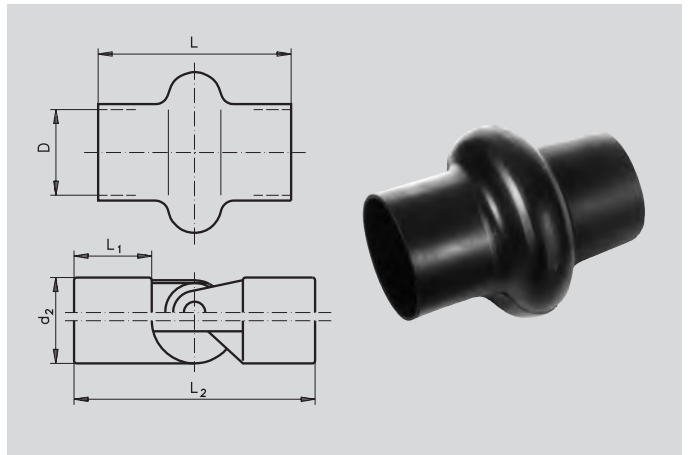


Ordering Details: e.g.: Product No. 631 998 20, Slip shaft with joints PWR, bore 10 mm

Product No.	BH7 mm	D mm	l <sub>1</sub> mm	l <sub>2</sub> mm	C mm	E mm	F mm	Standard size		permissible max torques in Nm							Weight kg
								L min mm	L max mm	100 rpm	200 rpm	300 rpm	400 rpm	500 rpm	700 rpm	800 rpm	
631 998 20	10	22	76	25	30	11	14	215	245	12.5	8.5	7	6.5	6	5.5	3.5	0.99
631 998 26	12	25	86	29	35	13	16	240	270	21.5	12.5	10	8.5	7.5	6.5	6	0.76
631 998 29	14	29	90	30	35	13	16	250	280	34	21.5	19.5	18	16.5	14	13	0.92
631 998 32	16	32	95	30	35	16	20	280	330	43	42	36	29	25.5	20.5	18	1.35
631 998 37	18	37	108	35	35	16	20	305	355	78	60	48	36	30	24	-	1.79
631 998 40	20	40	108	32	48	23	28	315	365	120	84	60	48	42	30	-	2.41
631 998 47	22	47	127	38	48	23	28	355	405	150	96	72	60	48	36	-	3.75
631 998 50	25	50	140	44	48	23	28	380	430	192	120	84	72	60	48	-	4.33

## Bellows FSG (black) for Single-Universal Joints

Single-fold bellows are used to protect ball and universal joints. The shaft lengths L1 and L2 are estimated dimensions. The bellows are made from a mineral-oil resistant material based on NBR, with a hardness of about 45 Shore A. To securely fix the bellows on the joints, the connections should also be supplied with hose fittings.



Ordering Details: e.g.: Product No. 630 516 00, Bellows FSG

Product No.	Inside-Ø D mm	L mm	d <sub>2</sub> mm	L <sub>1</sub> mm	L <sub>2</sub> mm	Weight g
630 516 00	16	32	16	9	34	5
630 518 00	18	38	18	11	40	6
630 520 00	20	56	20	14	50	8
630 522 00	22	40	22	13	48	7
630 525 00	25	66	25	22	74	12
630 526 00	26	45	26	15	56	10
630 528 00	28	65	28	20	70	9
630 529 00	29	50	29	17	60	12
630 532 00	32	60	32	19	68	15
630 533 00	32	75	32	23	80	18
630 536 00	36	82	36	26	90	22
630 540 00	42	75	40	29	100	24
630 545 00	47	90	45	31	110	31
630 550 00	52	95	50	36	125	40
630 555 00	58	95	55	45	120	48
630 570 00	70	96	70	56	140	67