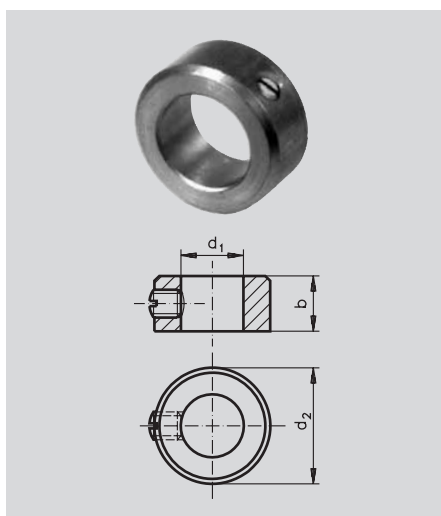


Shaft Collars with Set Screw (Adjusting Rings)

DIN 705 A Made from Steel with Set Screws DIN 553



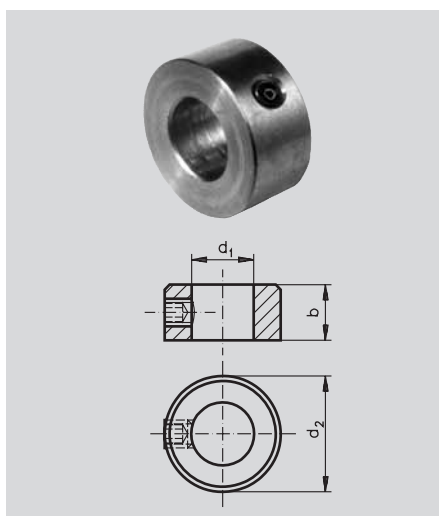
Blank turned and kalibrated.
Bores tolerance H8.

Ordering Details: e.g.: Product No. 623 003 00,
Collar DIN 705 A, 3 mm Bore

Product No.	d ₁ mm	d ₂ mm	b mm	Weight kg p. %
623 003 00	3	7	5	0.12
623 004 00	4	8	5	0.15
623 005 00	5	10	6	0.28
623 006 00	6	12	8	0.54
623 007 00	7	12	8	0.48
623 008 00	8	16	8	0.94
623 009 00	9*	18	10	1.51
623 010 00	10	20	10	1.85
623 012 00	12	22	12	2.52
623 014 00	14	25	12	3.17
623 015 00	15	25	12	2.98
623 016 00	16	28	12	3.84
623 018 00	18	32	14	6.00
623 020 00	20	32	14	5.30
623 022 00	22	36	14	6.90
623 025 00	25	40	16	9.56
623 030 00	30	45	16	11.1
623 035 00	35	56	16	18.7
623 040 00	40	63	18	26.1
623 045 00	45	70	18	31.7
623 050 00	50	80	18	42.9
623 055 00	55	80	18	37.3
623 060 00	60	90	20	55.2
623 065 00	65	100	20	70.8
623 070 00	70	100	20	62.6
623 080 00	80	110	22	76.8
623 090 00	90	125	22	101.0
623 100 00	100	140	25	147.0

* Size 9 not like DIN.

DIN 703 Made from Steel with Set Screws DIN 914

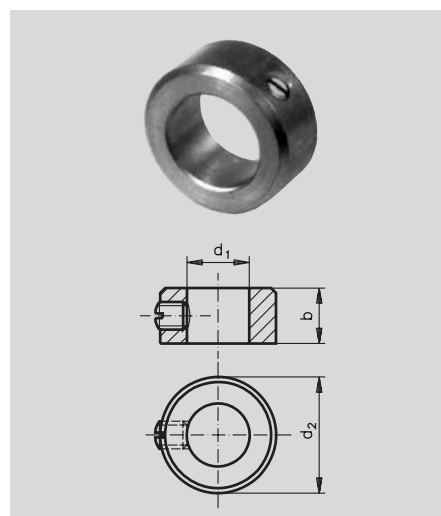


Heavy-duty series. Blank turned and kalibrated.
Bores tolerance H8.

Ordering Details: e.g.: Product No. 623 220 00,
Collar DIN 703, 20 mm Bore

Product No.	d ₁ mm	d ₂ mm	b mm	Weight kg p. %
623 220 00	20	40	20	14.6
623 225 00	25	56	22	33.8
623 230 00	30	63	22	41.5
623 235 00	35	70	22	49.6
623 240 00	40	80	28	82.7
623 245 00	45	80	28	75.3
623 250 00	50	90	28	96.3
623 255 00	55	90	28	87.1
623 260 00	60	100	28	110.0
623 265 00	65	100	28	99.6
623 270 00	70	110	32	141.0
623 275 00	75	110	32	127.0
623 280 00	80	125	32	181.0
623 285 00	85	125	32	165.0
623 290 00	90	125	32	148.0

DIN 705 A Stainless Steel 1.4305 with Set Screws DIN 553



Blank turned and kalibrated.
Bores tolerance H8



Ordering Details: e.g.: Product No. 623 990 04,
Collar DIN 705 A, 4 mm Bore, Stainless

Product No.	d ₁ mm	d ₂ mm	b mm	Weight kg p. %
623 990 04	4	8	5	0.15
623 990 05	5	10	6	0.28
623 990 06	6	12	8	0.54
623 990 07	7	12	8	0.48
623 990 08	8	16	8	0.94
623 990 09	9*	18	10	1.51
623 990 10	10	20	10	1.85
623 990 12	12	22	12	2.52
623 990 14	14	25	12	3.17
623 990 15	15	25	12	2.98
623 990 16	16	28	12	3.84
623 990 18	18	32	14	6.00
623 990 20	20	32	14	5.30
623 990 22	22	36	14	6.90
623 990 25	25	40	16	9.56
623 990 30	30	45	16	11.1
623 990 35	35	56	16	18.7
623 990 40	40	63	18	26.1
623 990 45	45	70	18	31.7
623 990 50	50	80	18	42.9