

Shaft Collars, Clamp Collars Single-Split

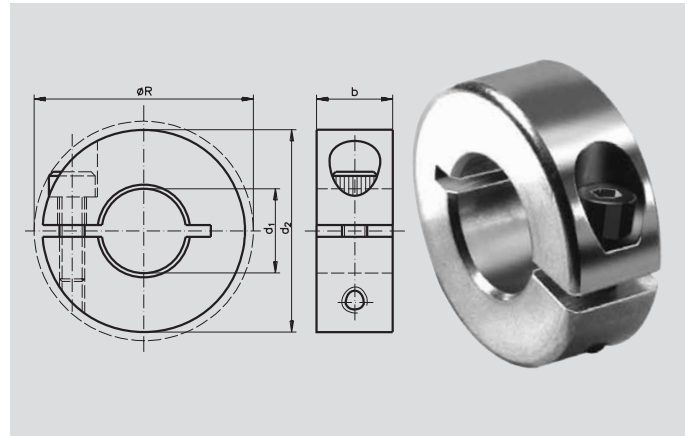
Material: Steel 1.0414 burnished.
Stainless steel 1.4301.
Aluminium.



Features: does not damage the shaft, stronger clamping force than with set collars, even distribution of clamping forces, easy readjustment, precision honed bores.

Tolerance b: +0.08 mm
-0.25 mm

Temperature range: -40°C to +175°C.



Ordering Details: e.g.: Product No. 623 103 00, Clamp Collar, 3 mm Bore

Product No. Steel	Product No. Stainless Steel	Product No. Aluminium	d_1 mm	d_2 mm	R mm	b mm	Screw DIN 912	Weight Steel g	Weight Alum. g
623 103 00	623 991 03	623 661 03	3	16	20.7	9	M3 x 8	11	4
623 104 00	623 991 04	623 661 04	4	16	20.7	9	M3 x 8	11	4
623 105 00	623 991 05	623 661 05	5	16	20.7	9	M3 x 8	10	4
623 106 00	623 991 06	623 661 06	6	16	20.7	9	M3 x 8	10	4
623 107 00	623 991 07	623 661 07	7	18	22.4	9	M3 x 8	13	5
623 108 00	623 991 08	623 661 08	8	18	22.4	9	M3 x 8	12	5
623 109 00	623 991 09	623 661 09	9	24	26	9	M3 x 8	23	8
623 110 00	623 991 10	623 661 10	10	24	26	9	M3 x 8	22	8
623 111 00	623 991 11	623 661 11	11	28	31.8	11	M4 x 12	39	14
623 112 00	623 991 12	623 661 12	12	28	31.8	11	M4 x 12	38	13
623 113 00	623 991 13	623 661 13	13	30	33.9	11	M4 x 12	43	15
623 114 00	623 991 14	623 661 14	14	30	33.9	11	M4 x 12	42	15
623 115 00	623 991 15	623 661 15	15	34	39.4	13	M5 x 14	65	23
623 116 00	623 991 16	623 661 16	16	34	39.4	13	M5 x 14	63	22
623 117 00	623 991 17	623 661 17	17	36	41.2	13	M5 x 14	72	25
623 118 00	623 991 18	623 661 18	18	36	41.2	13	M5 x 14	69	24
623 119 00	623 991 19	623 661 19	19	40	46.4	15	M6 x 16	100	35
623 120 00	623 991 20	623 661 20	20	40	46.4	15	M6 x 16	97	34
623 121 00	623 991 21	623 661 21	21	42	48.1	15	M6 x 16	107	37
623 122 00	623 991 22	623 661 22	22	42	48.1	15	M6 x 16	103	36
623 123 00	623 991 23	623 661 23	23	45	50.8	15	M6 x 16	122	42
623 124 00	623 991 24	623 661 24	24	45	50.8	15	M6 x 16	117	40
623 125 00	623 991 25	623 661 25	25	45	50.8	15	M6 x 16	114	40
623 126 00	623 991 26	623 661 26	26	48	53.7	15	M6 x 18	133	46
623 128 00	623 991 28	623 661 28	28	48	53.7	15	M6 x 18	123	43
623 130 00	623 991 30	623 661 30	30	54	58.6	15	M6 x 18	163	56
623 132 00	623 991 32	623 661 32	32	54	58.6	15	M6 x 18	156	54
623 134 00	623 991 34	623 661 34	34	57	61.6	15	M6 x 18	174	60
623 135 00	623 991 35	623 661 35	35	57	61.6	15	M6 x 18	171	59
623 136 00	623 991 36	623 661 36	36	57	61.6	15	M6 x 18	163	56
623 138 00	623 991 38	623 661 38	38	60	65.0	15	M6 x 18	178	61
623 140 00	623 991 40	623 661 40	40	60	65.0	15	M6 x 18	163	56
623 142 00	623 991 42	623 661 42	42	73	79.4	19	M8 x 25	367	127
623 145 00	623 991 45	623 661 45	45	73	79.4	19	M8 x 25	344	119
623 148 00	623 991 48	623 661 48	48	78	84.2	19	M8 x 25	392	135
623 150 00	623 991 50	623 661 50	50	78	84.2	19	M8 x 25	370	128
623 155 00	623 991 55	—	55	82	88.8	19	M8 x 25	380	—
623 160 00	623 991 60	—	60	88	94.0	19	M8 x 25	425	—
623 165 00	623 991 65	—	65	93	99.8	19	M8 x 25	450	—
623 170 00	623 991 70	—	70	98	104.5	19	M8 x 25	480	—
623 175 00	623 991 75	—	75	103	109.1	19	M8 x 25	510	—
623 180 00	623 991 80	—	80	108	113.8	19	M8 x 25	535	—

Remarks to collars from steel

The black oxide on the clamping collars is formulated as part of the total performance of the product. It enhances the hold-ability of the collar, it efficiently reduces slipping on the

shaft, has anti-stick-slip characteristics and helps to keep the torque rating of the screw within its designed parameters. The oxide layer also provides corrosion protection.