

## Shaft Collars, Clamp Collars Double-Split

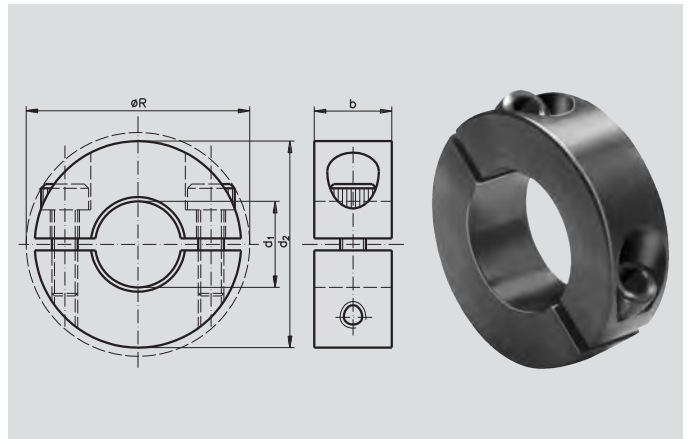
**Material:** Steel 1.0414 burnished.  
Stainless steel 1.4301.  
Aluminium.



**Features:** does not damage the shaft, stronger clamping force than with set collars, even distribution of clamping forces, easy readjustment, precision honed bores.

Tolerance b: +0.08 mm  
-0.25 mm

Temperature range: -40°C to +175°C.



Ordering Details: e.g.: Product No. 623 403 00, Double-split Clamp Collar, 3 mm Bore

Product No. Steel	Product No. Stainless Steel	Product No. Aluminium	$d_1$ mm	$d_2$ mm	R mm	b mm	Screws DIN 912	Weight Steel g	Weight Alum. g
623 403 00	623 994 03	623 664 03	3	16	20.7	9	M3 x 8	12	4
623 404 00	623 994 04	623 664 04	4	16	20.7	9	M3 x 8	11	4
623 405 00	623 994 05	623 664 05	5	16	20.7	9	M3 x 8	11	4
623 406 00	623 994 06	623 664 06	6	16	20.7	9	M3 x 8	10	3
623 407 00	623 994 07	623 664 07	7	18	22.4	9	M3 x 8	13	4
623 408 00	623 994 08	623 664 08	8	18	22.4	9	M3 x 8	12	4
623 409 00	623 994 09	623 664 09	9	24	26	9	M3 x 8	25	9
623 410 00	623 994 10	623 664 10	10	24	26	9	M3 x 8	24	8
623 411 00	623 994 11	623 664 11	11	28	31.8	11	M4 x 12	40	14
623 412 00	623 994 12	623 664 12	12	28	31.8	11	M4 x 12	39	13
623 413 00	623 994 13	623 664 13	13	30	33.9	11	M4 x 12	45	16
623 414 00	623 994 14	623 664 14	14	30	33.9	11	M4 x 12	43	15
623 415 00	623 994 15	623 664 15	15	34	39.4	13	M5 x 14	68	23
623 416 00	623 994 16	623 664 16	16	34	39.4	13	M5 x 14	65	22
623 417 00	623 994 17	623 664 17	17	36	41.2	13	M5 x 14	74	26
623 418 00	623 994 18	623 664 18	18	36	41.2	13	M5 x 14	71	24
623 419 00	623 994 19	623 664 19	19	40	46.4	15	M6 x 16	104	36
623 420 00	623 994 20	623 664 20	20	40	46.4	15	M6 x 16	101	35
623 421 00	623 994 21	623 664 21	21	42	48.1	15	M6 x 16	113	39
623 422 00	623 994 22	623 664 22	22	42	48.1	15	M6 x 16	107	37
623 423 00	623 994 23	623 664 23	23	45	50.8	15	M6 x 16	127	44
623 424 00	623 994 24	623 664 24	24	45	50.8	15	M6 x 16	122	42
623 425 00	623 994 25	623 664 25	25	45	50.8	15	M6 x 16	120	41
623 426 00	623 994 26	623 664 26	26	48	53.7	15	M6 x 18	139	48
623 428 00	623 994 28	623 664 28	28	48	53.7	15	M6 x 18	128	44
623 430 00	623 994 30	623 664 30	30	54	58.6	15	M6 x 18	171	59
623 432 00	623 994 32	623 664 32	32	54	58.6	15	M6 x 18	161	56
623 434 00	623 994 34	623 664 34	34	57	61.6	15	M6 x 18	181	62
623 435 00	623 994 35	623 664 35	35	57	61.6	15	M6 x 18	172	60
623 436 00	623 994 36	623 664 36	36	57	61.6	15	M6 x 18	169	59
623 438 00	623 994 38	623 664 38	38	60	65	15	M6 x 18	183	63
623 440 00	623 994 40	623 664 40	40	60	65	15	M6 x 18	172	59
623 442 00	623 994 42	623 664 42	42	73	79.4	19	M8 x 25	383	132
623 445 00	623 994 45	623 664 45	45	73	79.4	19	M8 x 25	360	124
623 448 00	623 994 48	623 664 48	48	78	84.2	19	M8 x 25	414	143
623 450 00	623 994 50	623 664 50	50	78	84.2	19	M8 x 25	386	133
623 455 00	623 994 55	---	55	82	88.8	19	M8 x 25	395	---
623 460 00	623 994 60	---	60	88	94.0	19	M8 x 25	440	---
623 465 00	623 994 65	---	65	93	99.8	19	M8 x 25	465	---
623 470 00	623 994 70	---	70	98	104.5	19	M8 x 25	495	---
623 475 00	623 994 75	---	75	103	109.1	19	M8 x 25	525	---
623 480 00	623 994 80	---	80	108	113.8	19	M8 x 25	550	---

### Remarks to collars from steel

The black oxide on the clamping collars is formulated as part of the total performance of the product. It enhances the holding ability of the collar, it efficiently reduces slipping on the

shaft, has anti-stick-slip characteristics and helps to keep the torque rating of the screw within its designed parameters. The oxide layer also provides corrosion protection.