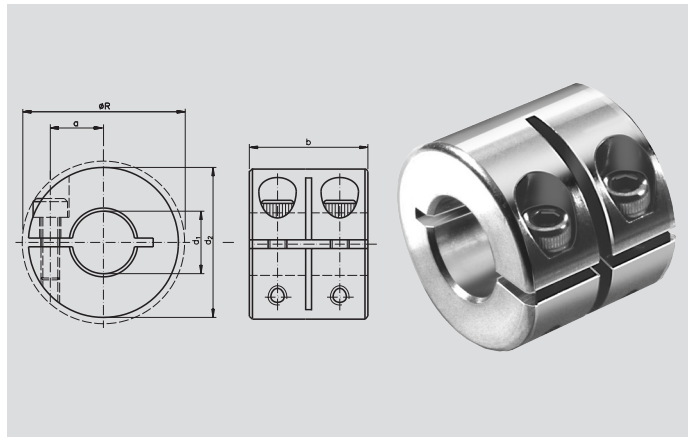


## Shaft Collars, Clamp Collars Double Wide, Single-Split

**Material:** Steel C45 burnished.  
Stainless steel 1.4301.

Temperature range: -40°C to +175°C.



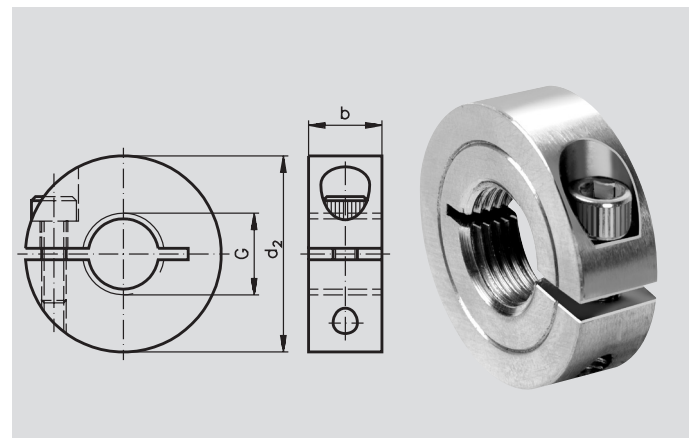
Ordering Details: e.g.: Product No. 624 106 00, Clamp Collar, 6mm

| Product-No.<br>Steel | Product-No.<br>Stainless Steel | d <sub>1</sub><br>mm | d <sub>2</sub><br>mm | R<br>mm | b<br>mm | a<br>mm | Screw<br>DIN 912 | Tighting Torque |                       | Weight<br>g |
|----------------------|--------------------------------|----------------------|----------------------|---------|---------|---------|------------------|-----------------|-----------------------|-------------|
|                      |                                |                      |                      |         |         |         |                  | Steel<br>Nm     | Stainless steel<br>Nm |             |
| 624 106 00           | 624 991 06                     | 6 <sup>+0,05</sup>   | 16                   | 20,1    | 20      | 5,2     | M3 x 8           | 2,1             | 1,1                   | 20          |
| 624 108 00           | 624 991 08                     | 8 <sup>+0,07</sup>   | 18                   | 21,3    | 20      | 6,0     | M3 x 8           | 2,1             | 1,1                   | 24          |
| 624 110 00           | 624 991 10                     | 10 <sup>+0,07</sup>  | 24                   | 25,6    | 20      | 8,5     | M3 x 8           | 2,1             | 1,1                   | 48          |
| 624 112 00           | 624 991 12                     | 12 <sup>+0,07</sup>  | 28                   | 31,7    | 24      | 10,0    | M4 x 12          | 4,6             | 2,5                   | 78          |
| 624 116 00           | 624 991 16                     | 16 <sup>+0,07</sup>  | 34                   | 38,5    | 29      | 12,0    | M5 x 14          | 9,5             | 5,4                   | 130         |
| 624 120 00           | 624 991 20                     | 20 <sup>+0,07</sup>  | 40                   | 46,3    | 33      | 14,5    | M6 x 16          | 16              | 9,6                   | 202         |
| 624 125 00           | 624 991 25                     | 25 <sup>+0,07</sup>  | 45                   | 50,6    | 33      | 17,0    | M6 x 16          | 16              | 9,6                   | 240         |
| 624 130 00           | 624 991 30                     | 30 <sup>+0,12</sup>  | 54                   | 58,6    | 33      | 21,5    | M6 x 18          | 16              | 9,6                   | 342         |
| 624 140 00           | 624 991 40                     | 40 <sup>+0,12</sup>  | 60                   | 65,0    | 33      | 25,0    | M6 x 18          | 16              | 9,6                   | 344         |
| 624 150 00           | 624 991 50                     | 50 <sup>+0,12</sup>  | 78                   | 84,2    | 41      | 32,0    | M8 x 25          | 17              | 13,6                  | 772         |

## Shaft Collars, Clamp Collars with Thread

**Material:** Steel C45 burnished.  
Stainless steel 1.4301.

Temperature range: -40°C to +175°C.



Ordering Details: e.g.: Product No. 623 604 00, Clamp Collar, M4 Thread

| Product No.<br>Steel | Product No.<br>Stainless Steel | Thread G | pitch | d <sub>2</sub><br>mm | b<br>mm | Screw<br>DIN 912 | Weight<br>g |
|----------------------|--------------------------------|----------|-------|----------------------|---------|------------------|-------------|
| 623 604 00           | 623 996 04                     | M4       | 0,7   | 16                   | 9       | M3 x 8           | 10          |
| 623 605 00           | 623 996 05                     | M5       | 0,8   | 16                   | 9       | M3 x 8           | 11          |
| 623 606 00           | 623 996 06                     | M6       | 1,0   | 16                   | 9       | M3 x 8           | 11          |
| 623 608 00           | 623 996 08                     | M8       | 1,25  | 18                   | 9       | M3 x 8           | 12          |
| 623 610 00           | 623 996 10                     | M10      | 1,5   | 24                   | 9       | M3 x 8           | 22          |
| 623 612 00           | 623 996 12                     | M12      | 1,75  | 28                   | 11      | M4 x 12          | 39          |
| 623 616 00           | 623 996 16                     | M16      | 2,0   | 34                   | 13      | M5 x 14          | 63          |
| 623 620 00           | 623 996 20                     | M20      | 2,5   | 40                   | 15      | M6 x 16          | 97          |
| 623 624 00           | 623 996 24                     | M24      | 3,0   | 45                   | 15      | M6 x 16          | 117         |
| 623 630 00           | 623 996 30                     | M30      | 3,5   | 54                   | 15      | M6 x 18          | 163         |

\* Metric ISO-standard thread (column 1).