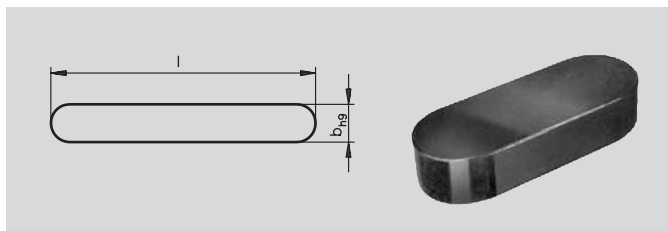


Feather Keys DIN 6885 Stainless Steel

Material: Stainless steel 1.4571

Version A



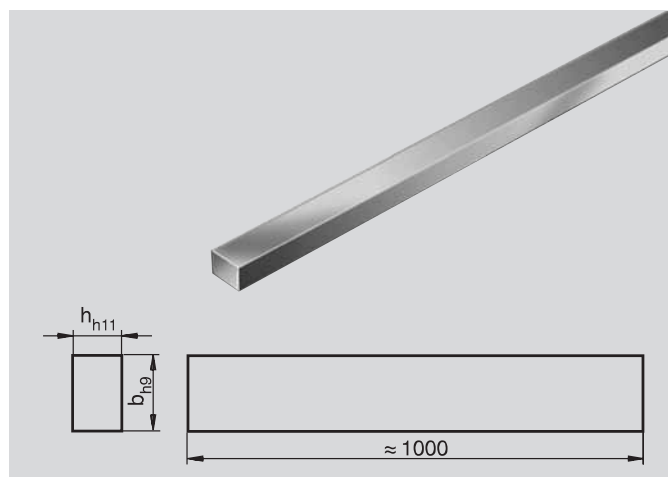
Ordering Details: e.g.: Product No 618 990 30, Feather Keys, 3 x 3 x 8 mm, Stainless Steel

Product No.	Width b_{h9} mm	Height mm	Length l mm	Weight kg/m	Product No.	Width b_{h9} mm	Height mm	Length l mm	Weight kg/m
618 990 30	3	3	8	0.070	618 991 22	6	6	20	0.280
618 990 31	3	3	10	0.070	618 991 24	6	6	25	0.280
618 990 32	3	3	12	0.070	618 991 25	6	6	28	0.280
618 990 36	3	3	16	0.070	618 991 26	6	6	30	0.280
618 990 38	3	3	20	0.070	618 991 28	6	6	40	0.280
618 990 40	3	3	25	0.070	618 991 29	6	6	45	0.280
618 990 63	4	4	10	0.130	618 991 30	6	6	50	0.280
618 990 64	4	4	12	0.130	618 991 46	8	7	20	0.410
618 990 67	4	4	16	0.130	618 991 48	8	7	25	0.410
618 990 69	4	4	20	0.130	618 991 49	8	7	28	0.410
618 990 71	4	4	25	0.130	618 991 50	8	7	30	0.410
618 990 72	4	4	28	0.130	618 991 52	8	7	40	0.410
618 990 73	4	4	30	0.130	618 991 53	8	7	45	0.410
618 990 94	5	5	12	0.200	618 991 54	8	7	50	0.410
618 990 97	5	5	16	0.200	618 991 71	10	8	25	0.630
618 990 99	5	5	20	0.200	618 991 72	10	8	28	0.630
618 991 01	5	5	25	0.200	618 991 73	10	8	30	0.630
618 991 02	5	5	28	0.200	618 991 75	10	8	40	0.630
618 991 03	5	5	30	0.200	618 991 76	10	8	45	0.630
618 991 05	5	5	40	0.200	618 991 77	10	8	50	0.630
618 991 06	5	5	45	0.200	618 991 98	12	8	40	0.750
618 991 07	5	5	50	0.200	618 991 99	12	8	45	0.750
618 991 20	6	6	16	0.280	618 992 00	12	8	50	0.750

Key Steel DIN 6880 Stainless Steel

Material: Stainless steel 1.4571.

Standard length about 1000 mm.



Ordering Details: e.g.: Product No. 619 902 02, Key Steel DIN 6880, Stainless Steel, 2 x 2 x 1000 mm

Product No.	b_{h9} mm	h_{h11} mm	Weight g	Product No.	b_{h9} mm	h_{h11} mm	Weight g
619 902 02	2	2	31	619 910 08	10	8	626
619 903 03	3	3	70	619 912 08	12	8	750
619 904 04	4	4	125	619 914 09	14	9	984
619 905 05	5	5	195	619 916 10	16	10	1250
619 906 06	6	6	280	619 918 11	18	11	1560
619 908 07	8	7	438	619 920 12	20	12	1880