

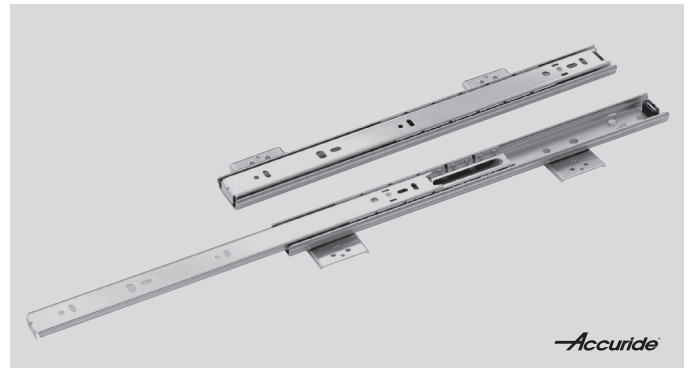
## Slides DZ 2109, Width 12.7\* mm, with Bracket Mounts, to 34 kg, 3/4 Extension

### Material:

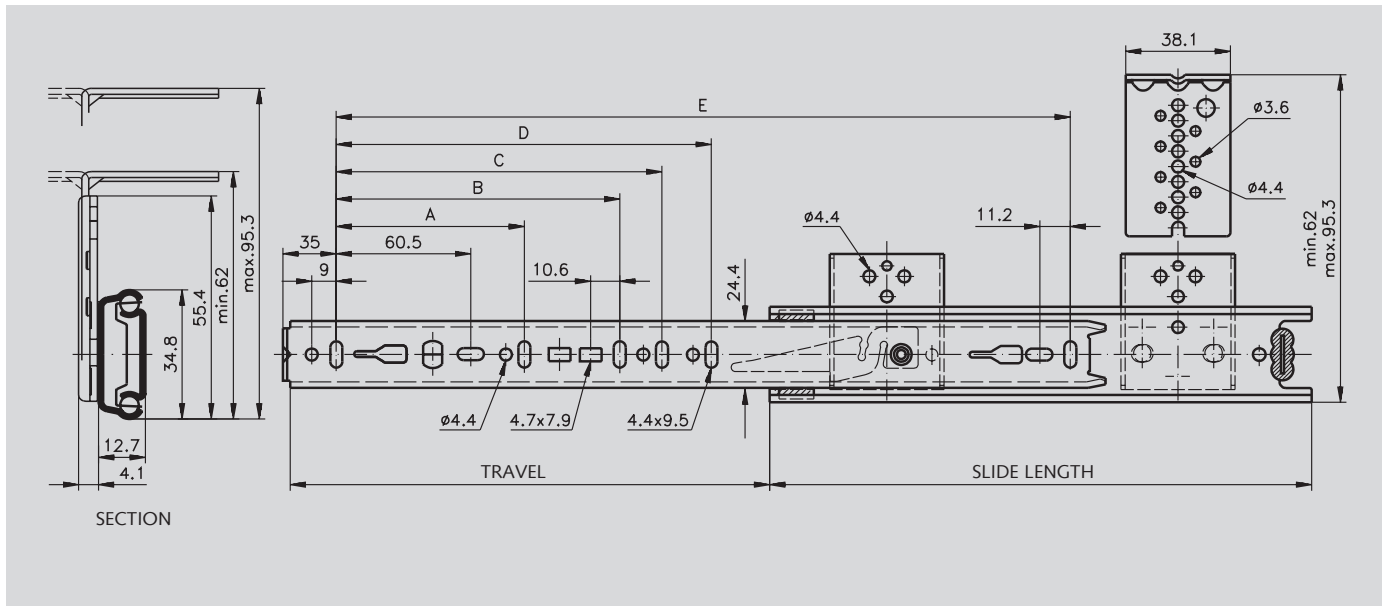
Slide elements: Cold-rolled steel, bright zinc plated.  
Ball retainers: Cold-rolled steel, zinc-plated.  
Balls: Hardened steel.

Telescopic ball bearing slides, especially suited for keyboard trays.

- Fast disconnection.
- Hold-in in closed position and hold-out in open position.
- Height-adjustable bracket mount included.
- Optional clip-on bracket (page 689).
- Especially long service life, up to 50,000 cycles!



Ordering details: e.g.: Prod. No. 649 062 35, Slides DZ 2109, with Bracket Mounts



Product No. per Pair	Slide Length mm	Travel +/-3,2 mm	A mm	B mm	C mm	D mm	E mm	F mm	Load Rating per pair kg	Weight per Pair kg
649 062 35	350	260	128	-	-	-	292	215,9	34	0,68
649 062 40	400	281	128	-	-	-	342	215,9	34	0,78
649 062 45	450	331	128	224	-	-	392	215,9	34	0,88
649 062 50	500	376	128	224	-	-	442	292,1	34	0,98

\* Width with bracket mount 16.7 mm.

### Note

Recommended mount: M4 screw (included in delivery).  
Use all mounting positions to achieve the max. load rating.

Clip-on brackets see page 689.

## Selection Tool

on the Internet at [www.maedler.de](http://www.maedler.de)  
in the section **Mädler-Tools**

### Mounting Example: Sliding Keyboard Tray

