

Slides 2002, width 9.5 mm, up to 35 kg, extension in both directions

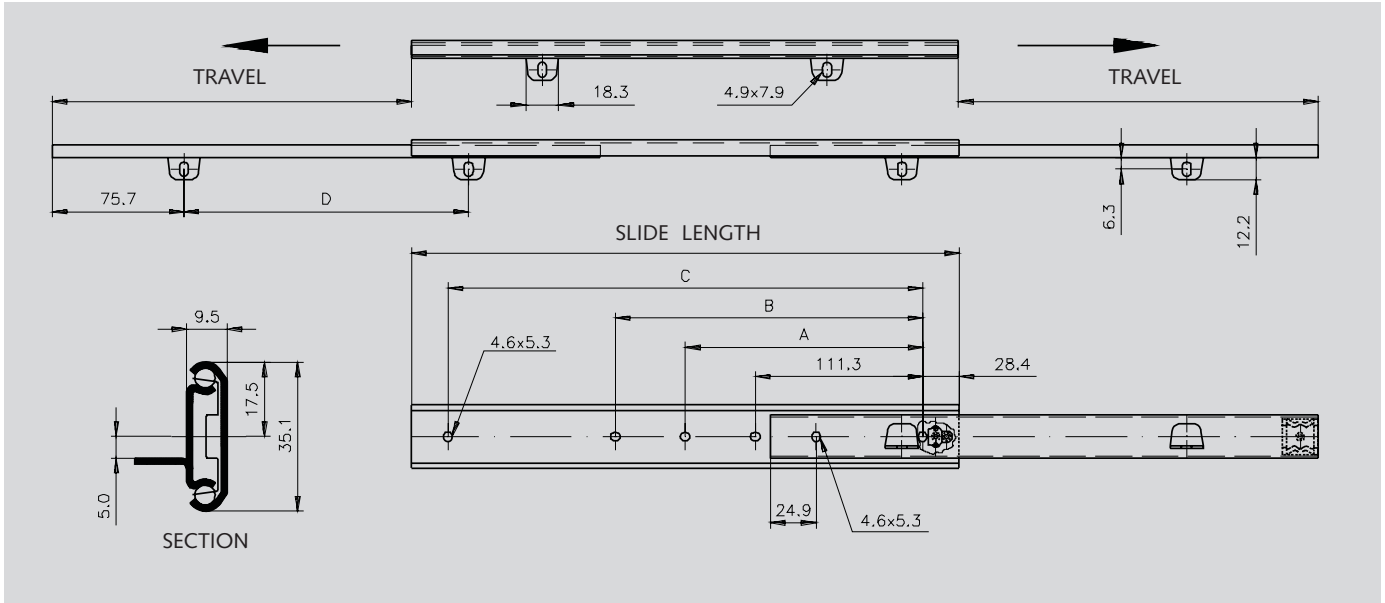
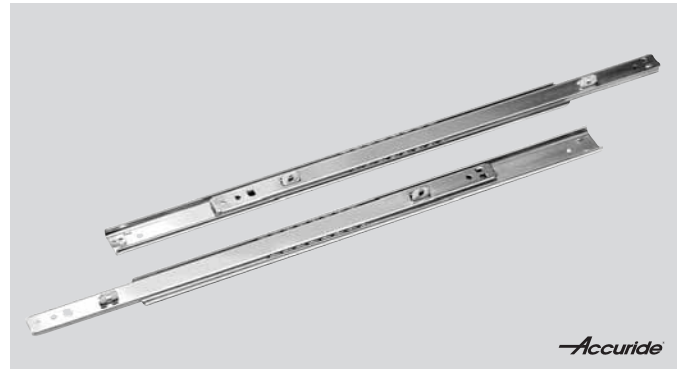
Material:

Slide elements: Cold-rolled, bright zinc-plated steel.
 Ball retainers: Cold rolled, zinc-plated steel.
 Balls: Hardened steel.

Telescopic precision ball bearing slides for applications in the industrial and electronics sector.

- Hold-in in the centre position.
- Forward and return slide. For applications, that require access from both sides of a sliding unit.
- Fasteners included.
- Very high service life 50.000 cycles.

Ordering Details: e.g.: Product No. 649 003 30, Slides 2002



Product No. per pair	Slide length mm	Travel +/-3.2 mm	A mm	B mm	C mm	D mm	Load Rating Pair kg	Weight Pair kg
649 003 30	305	221.5	--	136.7	247.7	153.4	35	0.7
649 003 35	356	272.3	--	187.5	298.5	204.2	35	0.8
649 003 40	406	297.7	--	238.3	349.3	255.0	35	0.9
649 003 45	457	323.1	200.2	289.1	400.1	305.8	35	1.0
649 003 50	508	373.9	225.6	339.9	450.9	356.6	32	1.1
649 003 55	558	399.3	251.0	390.7	501.7	407.4	31	1.2
649 003 60	610	424.7	276.4	441.5	552.5	458.2	29	1.3
649 003 65	660	475.5	301.8	492.3	603.3	509.0	27	1.4
649 003 70	711	500.9	327.2	543.1	654.1	559.8	24	1.5

Note

Recommended fastening: M4 screw.
 Use all mounting positions to achieve the max. load rating.