

Slides 2132, Width 12.7 mm, to 50 kg, 3/4 Extension

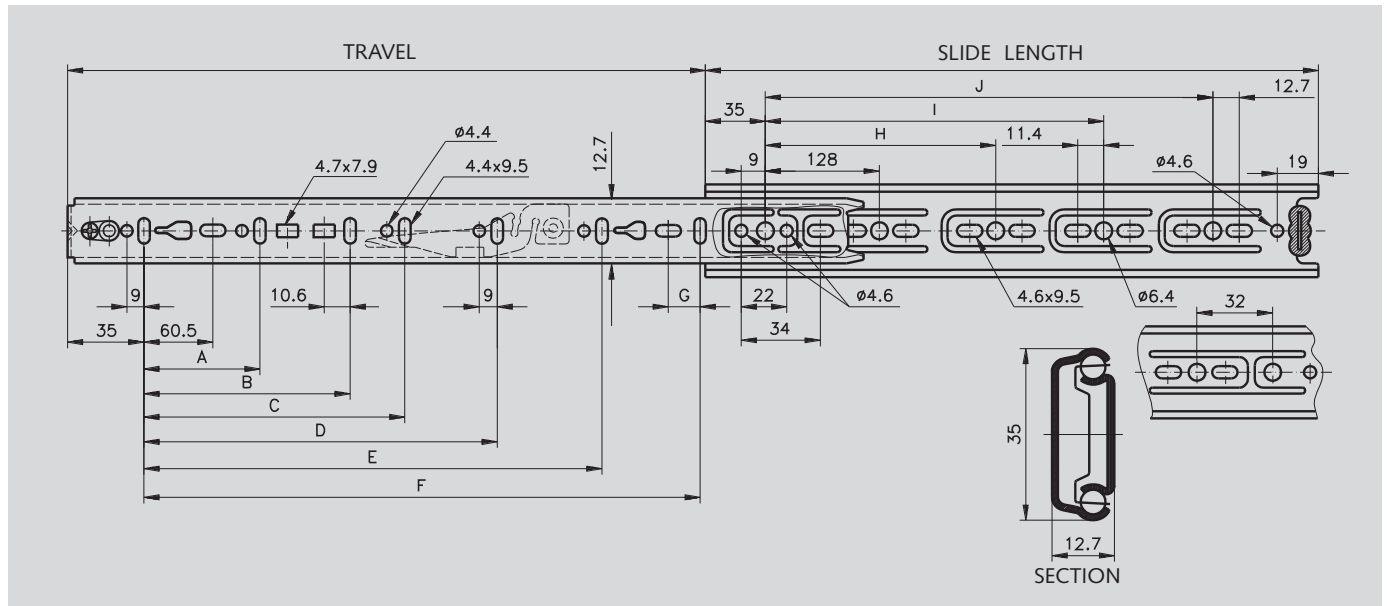
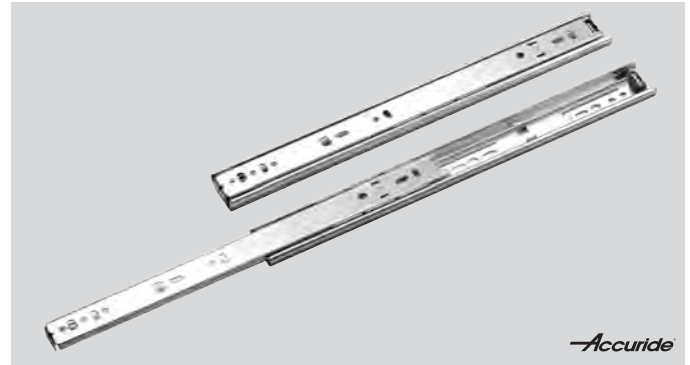
Material:

Slide elements: Cold-rolled steel, zinc plated.
Ball retainers: Cold-rolled, zinc-plated steel.
Balls: Hardened steel.

Telescopic ball bearing slides for applications in the industrial and electronics sector.

- Fast disconnection.
- Hold-in in closed position.
- Optional clip-on bracket (page 689).
- Version zinc plated, either bright or black.
- Cam drawer adjust (3.1 mm).
- Service life 10,000 cycles.

Ordering details: e.g.: Prod. No. 649 010 25, Slides 2132



Product No. per Pair bright	Product No. per Pair black	Slide Length mm	Travel +/-3.2 mm	A mm	B mm	C mm	D mm	E mm	F mm	G mm	H mm	I mm	Load rating per Pair kg	Weight per Pair kg
649 010 25	649 110 25	250	163	96	-	-	-	-	192	-	-	-	50	0.49
649 010 30	649 110 30	300	205	96	-	-	-	-	242	224	-	-	50	0.56
649 010 35	649 110 35	350	260	128	-	-	-	-	292	224	-	-	50	0.69
649 010 40	649 110 40	400	281	128	-	-	-	-	342	224	-	320	50	0.77
649 010 45	649 110 45	450	331	128	224	-	-	-	392	224	-	352	50	0.84
649 010 50	649 110 50	500	376	128	224	-	-	-	442	224	-	416	50	0.94
649 010 55	649 110 55	550	415	128	224	320	-	-	492	224	352	-	50	1.05
649 010 60	649 110 60	600	451	128	224	320	-	-	542	224	352	480	50	1.13
649 010 65	649 110 65	650	488	128	224	320	416	544	592	224	352	544	50	1.25
649 010 70	649 110 70	700	526	128	224	288	416	-	642	224	352	544	50	1.37

Note

Recommended mounts: M4 screw.
Use all mounting positions to achieve the max. load rating.

Optional Clip-On Brackets see page 689.

