

Slides 0204, Width 9.5 mm, to 59 kg, 3/4 Extension

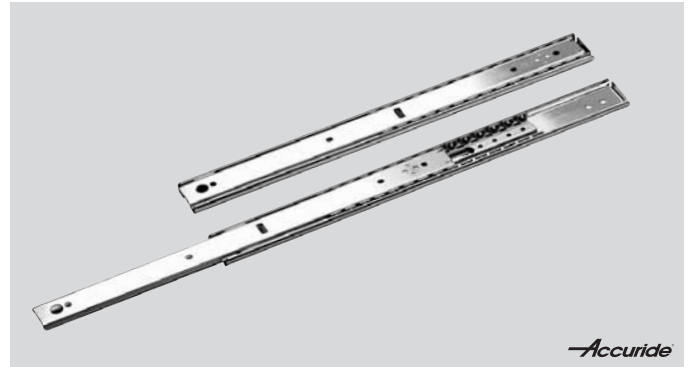
Material:

Slide elements: Cold-rolled steel, zinc plated.
Ball retainers: Cold-rolled, zinc-plated steel.
Balls: Hardened steel.

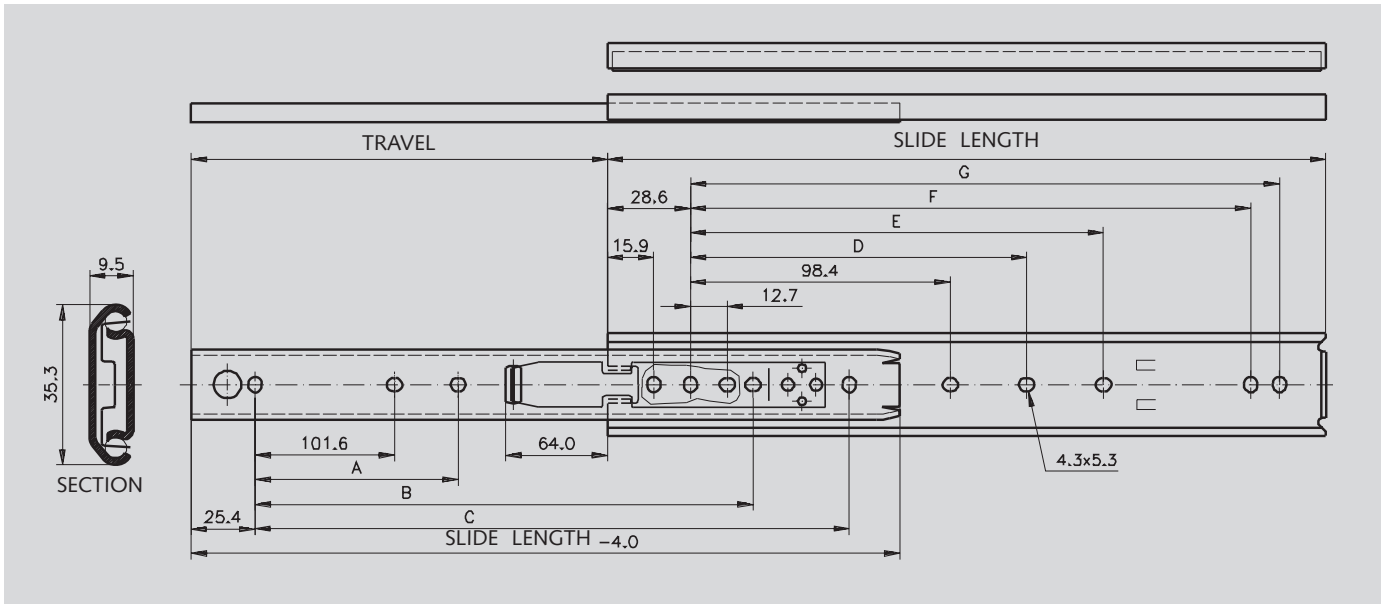
Telescopic ball bearing slides for applications in the industrial and electronics sector.

- Can be mounted on both sides.
- Bracket mount for electrical cabinets on request.
- Fast disconnection.
- Lock-out function.
- Service life 10,000 cycles.

Ordering details: e.g.: Prod. No. 649 002 12, Slides 0204



Accuride



Product No. per Pair	Slide Length mm	Travel +/-3.2 mm	A mm	B mm	C mm	D mm	E mm	F mm	G mm	Load Rating per Pair kg	Weight per Pair kg
649 002 12	305	201.5	-	215.9	254.0	-	136.5	247.6	260.3	64	0.63
649 002 14	356	252.5	-	266.7	304.8	-	187.3	298.4	311.1	59	0.73
649 002 16	406	303.0	-	317.5	355.6	-	238.1	349.2	361.9	55	0.84
649 002 18	457	329.0	203.2	342.9	406.4	200.0	288.9	400.0	412.7	50	0.94
649 002 20	508	379.5	228.6	393.7	457.2	225.4	339.7	450.8	463.5	42	1.05
649 002 22	559	405.0	254.0	419.1	508.0	250.8	390.5	501.6	514.3	39	1.15
649 002 24	610	430.5	279.4	444.5	558.8	276.2	441.3	552.4	565.1	35	1.27
649 002 26	660	481.5	304.8	495.3	609.6	301.6	492.1	603.2	615.9	32	1.37
649 002 28	711	506.5	330.2	520.7	660.4	327.0	542.9	654.0	666.7	27	1.47

Note

Recommended mounts: M4 screw.
Use all mounting positions to achieve the max. load rating.