

## Slides 3732, width 12.7 mm, up to 40 kg, full extension

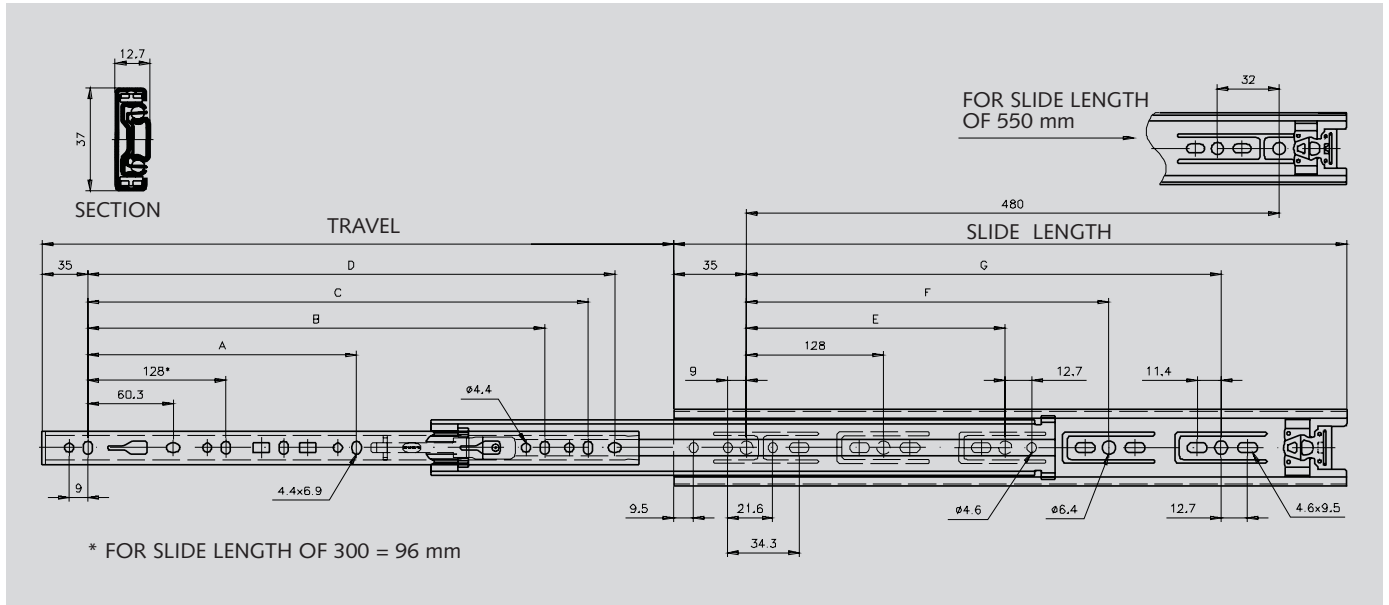
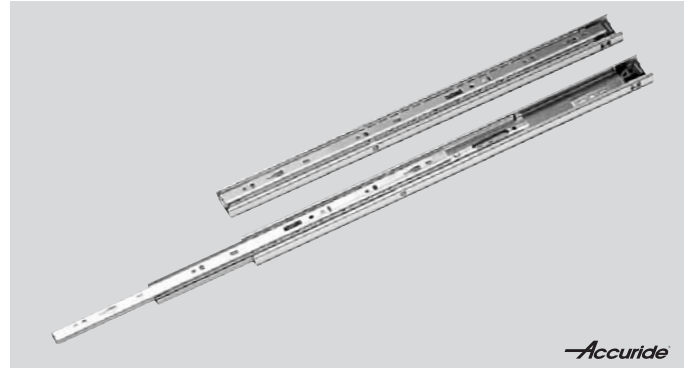
### Material:

Slide elements: Cold rolled steel, zinc-plated.  
Ball retainers: Cold rolled steel, zinc-plated steel.  
Balls: Hardened steel.

Telescopic precision ball bearing slides for applications in the industrial and electronics sector.

- Fast Disconnect.
- Hold In.
- Optional Clip-On Brackets (page 689).
- Very high service life up to 80.000 cycles.

Ordering Details: e.g.: Product No. 649 009 30, Slides 3732



Product No. per pair	Slide length mm	Travel +/-3.2 mm	A mm	B mm	C mm	D mm	E mm	F mm	G mm	Load Rating Pair kg	Weight Pair kg
649 009 30	300	292	-	-	-	230.8	224	-	-	40	0.77
649 009 35	350	356	-	-	-	280.8	224	-	-	40	0.89
649 009 40	400	406	-	-	-	330.8	224	-	320	40	1.22
649 009 45	450	457	-	320	-	380.8	224	-	352	40	1.15
649 009 50	500	508	-	320	-	430.8	224	-	416	40	1.29
649 009 55	550	559	-	320	416	480.8	224	352	-	40	1.41
649 009 60	600	610	224	416	-	530.8	224	352	480	40	1.55
649 009 65	650	660	224	416	544	580.8	224	352	544	40	1.68

### Note

Recommended fastening: M4 screw.  
Use all mounting positions to achieve the max. load rating.  
Horizontal mounting is not recommended.

Optional Clip-On Brackets see page 689.

