

## Slides DS 0330, Width 19.1 mm, to 65 kg, Stainless Steel, Full Extension

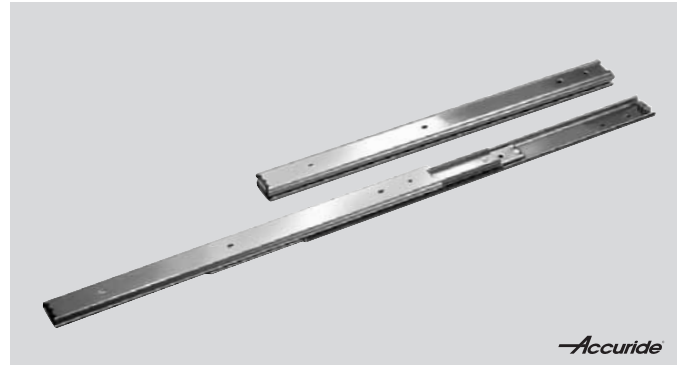
### Material:

Stainless steel 1.4301.



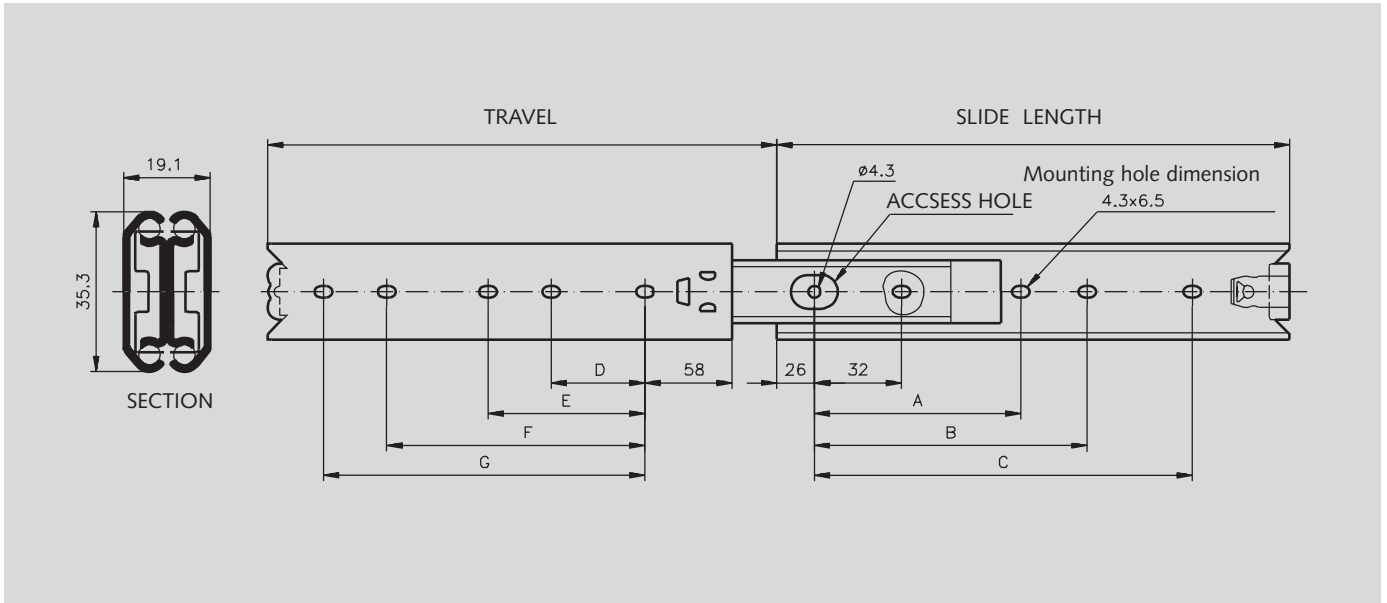
Telescopic ball bearing slides for applications in the industrial and electronics sector.

- Hold-in in closed position.
- Can be mounted on both sides.
- Especially long service life, up to 80,000 cycles.



Ordering details: e.g.: Prod. No. 649 446 30, Slides DS 0330

Accuride



| Product No. per Pair | Slide Length mm | Travel +/-3.2 mm | A mm | B mm | C mm | D mm | E mm | F mm | G mm | Load Rating per Pair kg | Weight per Pair kg |
|----------------------|-----------------|------------------|------|------|------|------|------|------|------|-------------------------|--------------------|
| 649 446 30           | 300             | 304.5            | -    | 192  | 242  | -    | -    | 192  | 224  | 50                      | 1.15               |
| 649 446 35           | 350             | 354              | -    | 242  | 256  | -    | -    | 242  | 256  | 55                      | 1.36               |
| 649 446 40           | 400             | 403              | -    | 192  | 320  | 160  | -    | 288  | 320  | 55                      | 1.46               |
| 649 446 45           | 450             | 452              | -    | 224  | 352  | 192  | -    | 320  | 352  | 65                      | 1.66               |
| 649 446 50           | 500             | 501              | 256  | 288  | 416  | 224  | 256  | 384  | 416  | 55                      | 1.88               |
| 649 446 55           | 550             | 550.4            | 288  | 320  | 480  | 256  | 288  | 416  | 448  | 50                      | 2.06               |
| 649 446 60           | 600             | 600              | 320  | 352  | 512  | 288  | 320  | 480  | 512  | 45                      | 2.27               |
| 649 446 70           | 700             | 698              | 352  | 384  | 608  | 320  | 352  | 576  | 608  | 35                      | 2.70               |

### Note

Recommended mounts: M4 screw.

Use all mounting positions to achieve the max. load rating.