

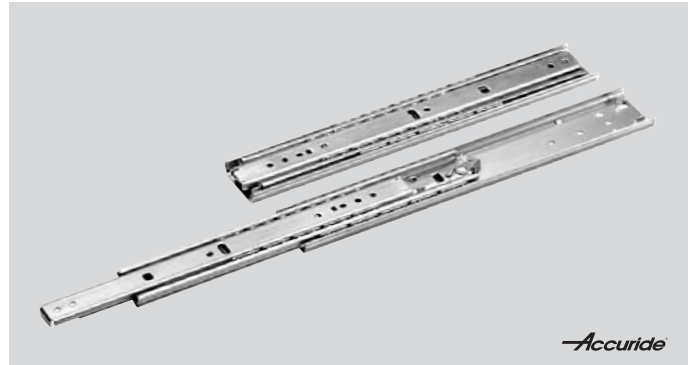
Slides 3307, Width 12.7 mm, to 68 kg, Over Extension

Material:

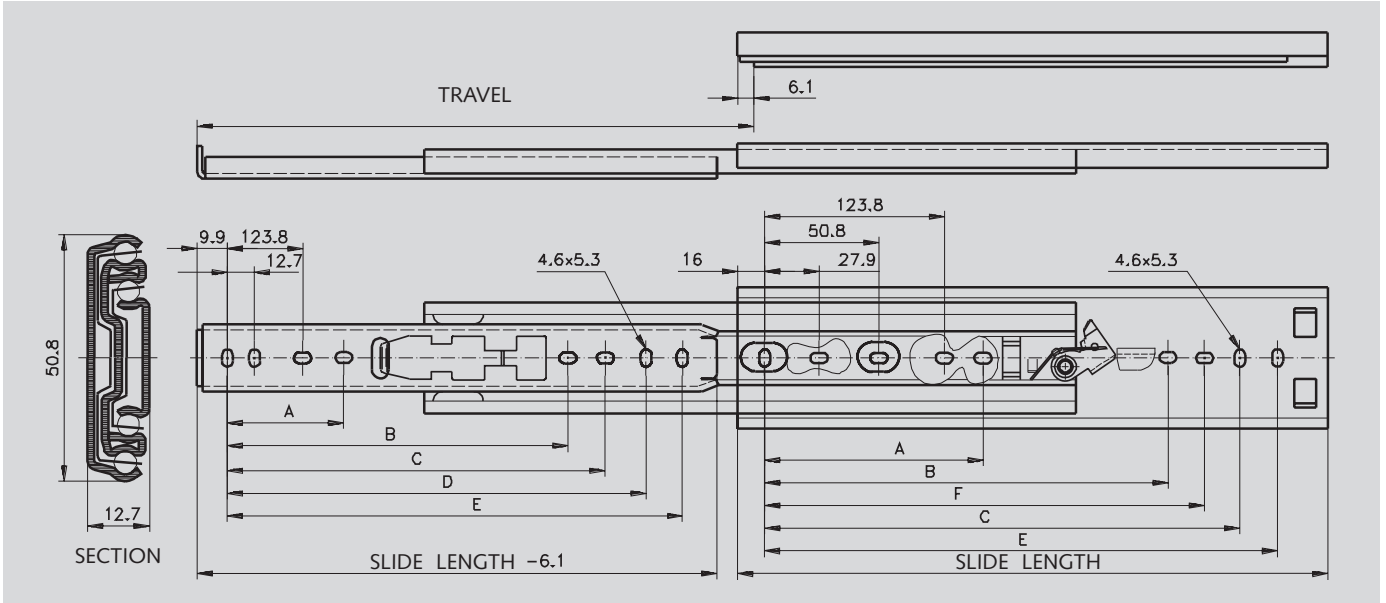
Slide elements: Cold-rolled steel, zinc plated.
Ball retainers: Cold-rolled, zinc-plated steel.
Balls: Hardened steel.

Telescopic ball bearing slides for applications in the industrial and electronics sector.

- Fast disconnection.
- Locks in open position.
- Mounting accessories included.
- Bracket mount for electrical cabinets on request.
- Service life 10,000 cycles.



Ordering details: e.g.: Prod. No. 649 030 12, Slides 3307



Product No. per Pair	Slide Length mm	Travel +/-3.2 mm	A mm	B mm	C mm	D mm	E mm	F mm	Load Rating per Pair kg	Weight per Pair kg
649 030 12	305	330	-	-	234.9	247.6	260.3	209.5	68	1.20
649 030 14	356	381	-	-	285.7	298.4	311.1	260.3	67	1.41
649 030 16	406	432	-	-	336.5	349.2	361.9	311.1	67	1.59
649 030 18	457	483	177.8	314.4	387.3	400.0	412.7	361.9	66	1.82
649 030 20	508	533	203.2	365.2	438.1	450.8	463.5	412.7	66	2.00
649 030 22	559	584	228.6	416.0	488.9	501.6	514.3	463.5	64	2.23
649 030 24	610	635	254.0	466.8	539.7	552.4	565.1	514.3	61	2.41
649 030 26	660	686	279.4	517.6	590.5	603.2	615.9	565.1	58	2.64
649 030 28	711	737	304.8	568.4	641.3	654.0	666.7	615.9	55	2.81

Note

Recommended mounts: M4 screw.
Use all mounting positions to achieve the max. load rating.