

Slides 3308, Width 12.7 mm, to 67 kg, Over Extension

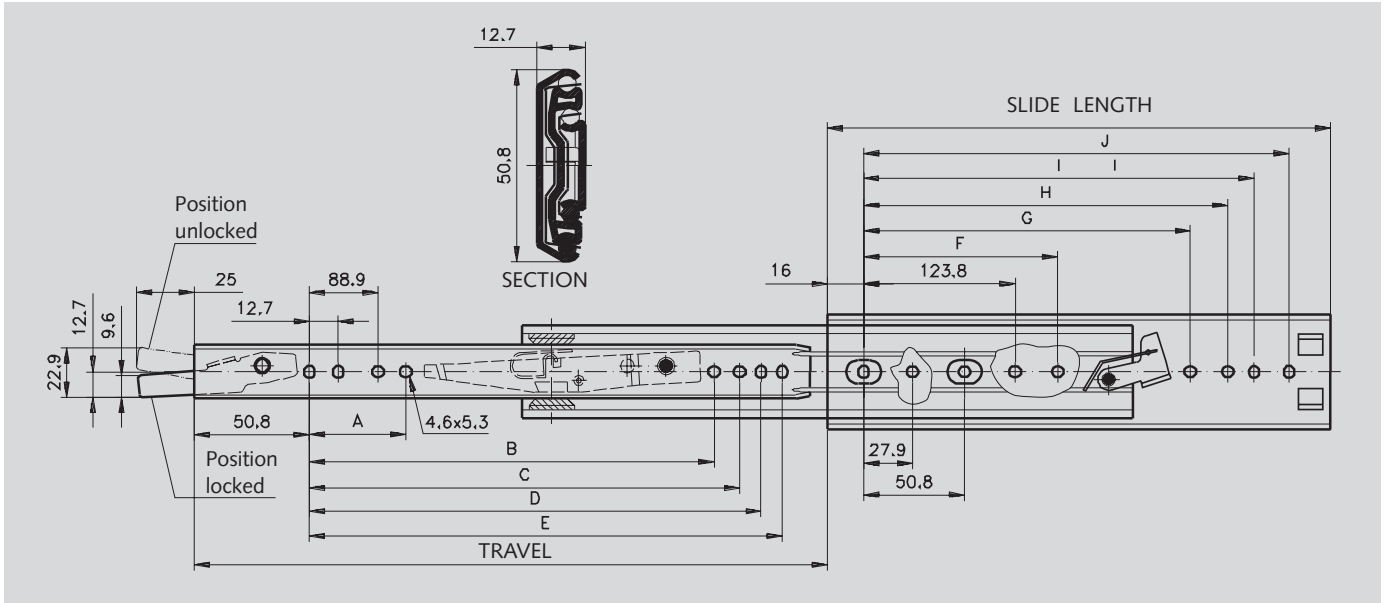
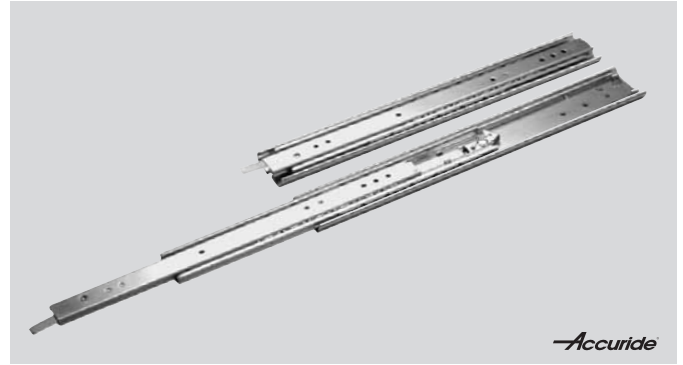
Material:

Slide elements: Cold-rolled steel, zinc plated.
 Ball retainers: Cold-rolled, zinc-plated steel.
 Balls: Hardened steel.

Telescopic ball bearing slides for applications in the industrial and electronics sector.

- Fast disconnection.
- Lock-in in closed position.
- Lock-out in open position.
- Can be mounted on either side.
- Service life 10,000 cycles.

Ordering details: e.g.: Prod. No. 649 032 12, Slides 3308



Product No. per Pair	Slide Length mm	Travel +/-3.2 mm	A mm	B mm	C mm	D mm	E mm	F mm	G mm	H mm	I mm	J mm	Load Rating per Pair kg	Weight per Pair kg
649 032 12	305	330	-	-	220.1	212.8	225.5	-	-	209.5	234.9	260.3	67	1.25
649 032 14	356	381	-	-	250.9	263.6	276.3	-	-	260.3	285.7	311.1	67	1.41
649 032 16	406	432	-	-	301.7	314.4	327.1	-	-	311.1	336.5	361.9	67	1.59
649 032 18	457	483	143.0	279.4	352.5	365.2	377.9	177.8	314.4	361.9	387.3	412.7	66	1.82
649 032 20	508	533	168.4	330.2	403.3	416.0	428.7	203.2	365.2	412.7	438.1	463.5	66	2.00
649 032 22	559	584	193.8	381.0	454.1	466.8	479.5	228.6	416.0	463.5	488.9	514.3	64	2.23
649 032 24	610	635	219.2	431.8	504.9	517.6	530.3	254.0	466.8	514.3	539.7	565.1	61	2.41
649 032 26	660	686	244.6	482.6	555.7	568.4	581.1	279.4	517.6	565.1	590.5	615.9	58	2.78
649 032 28	711	737	270.0	533.4	606.5	619.2	631.9	304.8	568.4	615.9	641.3	666.7	55	2.96

Note

Recommended mounts: M4 screw.
 Use all mounting positions to achieve the max. load rating.