

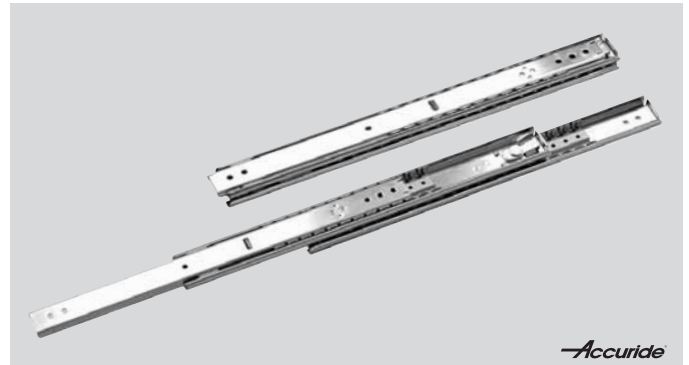
Slides 0305, Width 19.1 mm, to 70 kg, Over Extension

Material:

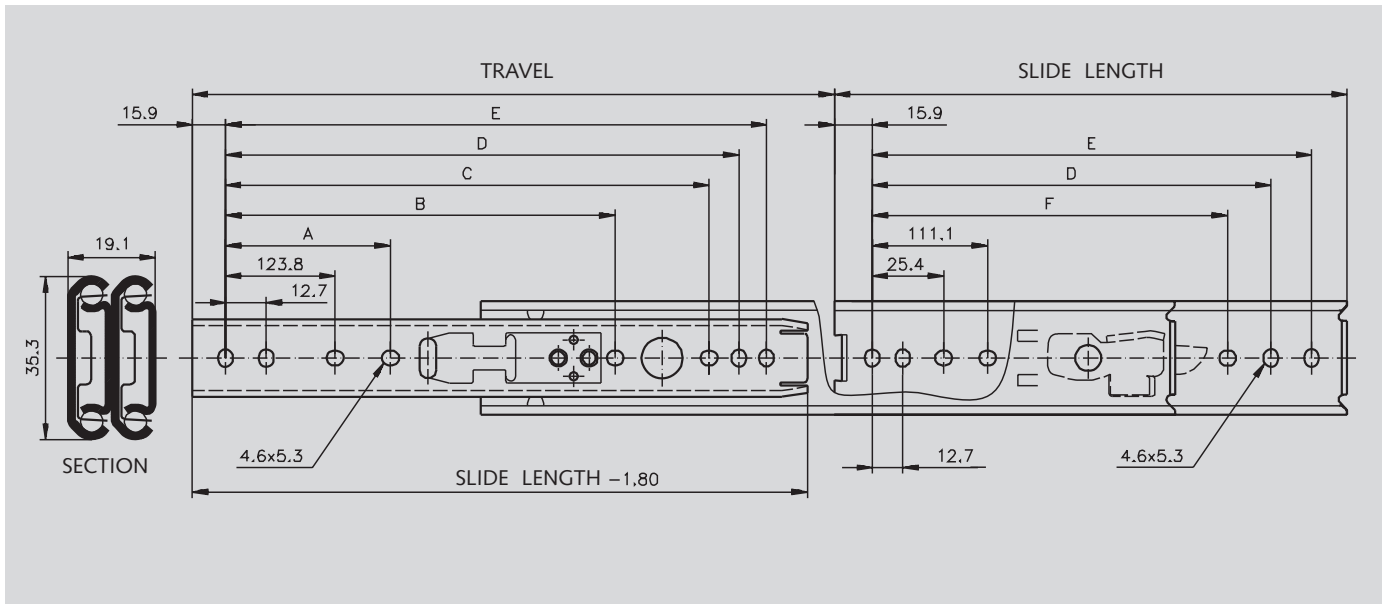
Slide elements: Cold-rolled steel, zinc plated.
Ball retainers: Cold-rolled, zinc-plated steel.
Balls: Hardened steel.

Telescopic ball bearing slides for applications in the industrial and electronics sector.

- Locks in open position.
- Fast disconnection.
- Bracket mount for electrical cabinets on request.
- Service life 10,000 cycles.



Ordering details: e.g.: Prod. No. 649 024 12, Slides 0305



Product No. per Pair	Slide Length mm	Travel +/-3.2 mm	A mm	B mm	C mm	D mm	E mm	F mm	Load Rating per Pair kg	Weight per Pair kg
649 024 12	305	327.0	-	-	-	260.3	273.0	-	64	1.21
649 024 14	356	378.0	-	-	298.4	311.1	323.8	-	60	1.42
649 024 16	406	429.0	-	-	349.2	361.9	374.6	250.8	65	1.63
649 024 18	457	479.5	212.7	-	400.0	412.7	425.4	301.6	70	1.81
649 024 20	508	530.5	238.1	365.2	450.8	463.5	476.2	352.4	65	2.03
649 024 22	559	581.0	263.5	415.9	501.6	514.3	527.0	403.2	60	2.24
649 024 24	610	632.0	288.9	466.7	552.4	565.1	577.8	454.0	55	2.46
649 024 26	660	683.0	314.3	517.7	603.2	615.9	628.6	504.8	39	2.68
649 024 28	711	733.5	339.7	568.3	654.0	666.7	679.4	555.6	36	2.90

Note

Recommended mounts: M4 screw.
Use all mounting positions to achieve the max. load rating.