

Slides 0301, Width 19.1 mm, to 70 kg, Over Extension

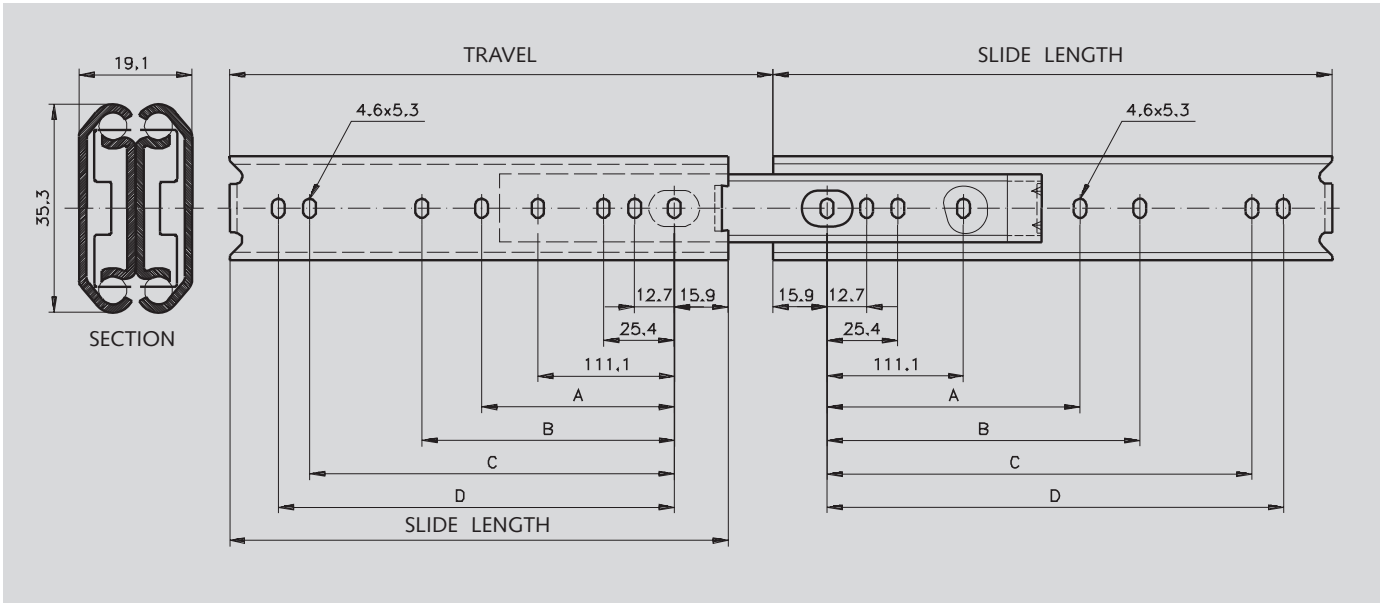
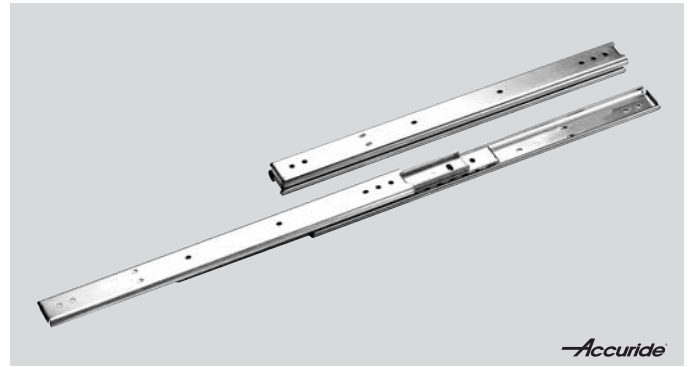
Material:

Slide elements: Cold-rolled steel, zinc plated.
Ball retainers: Cold-rolled, zinc-plated steel.
Balls: Hardened steel.

Telescopic ball bearing slides for applications in the industrial and electronics sector.

- Low slide profile (only 35.3 mm).
- Bracket mount for electrical cabinets on request.
- Service life 10,000 cycles.

Ordering details: e.g.: Prod. No. 649 034 12, Slides 0301



Product No. per Pair	Slide Length mm	Travel +/-3.2 mm	A mm	B mm	C mm	D mm	Load Rating per Pair kg	Weight per Pair kg
649 034 12	305	327	-	149.2	260.3	273.0	70	1.31
649 034 14	356	378	-	200.0	311.1	323.8	67	1.57
649 034 16	406	429	-	250.8	361.9	374.6	65	1.80
649 034 18	457	480	212.7	301.6	412.7	425.4	63	2.02
649 034 20	508	530	238.1	352.4	463.5	476.2	60	2.27
649 034 22	559	581	263.5	403.2	514.3	527.0	55	2.51
649 034 24	610	632	288.9	454.0	565.1	577.8	50	2.73
649 034 26	660	683	314.3	504.8	615.9	628.6	45	2.93
649 034 28	711	734	339.7	555.6	666.7	679.4	40	3.13

Note

Recommended mounts: M4 screw.
Use all mounting positions to achieve the max. load rating.