

## Slides 3607, Width 19.1 mm, to 120 kg, Full Extension

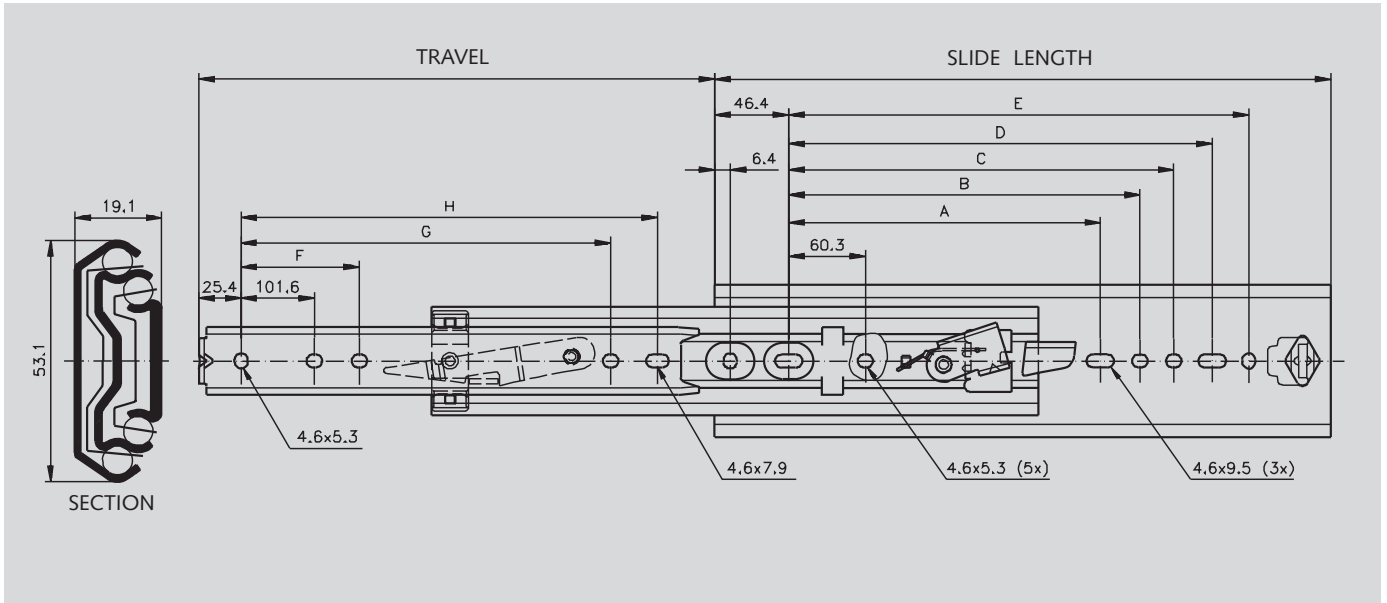
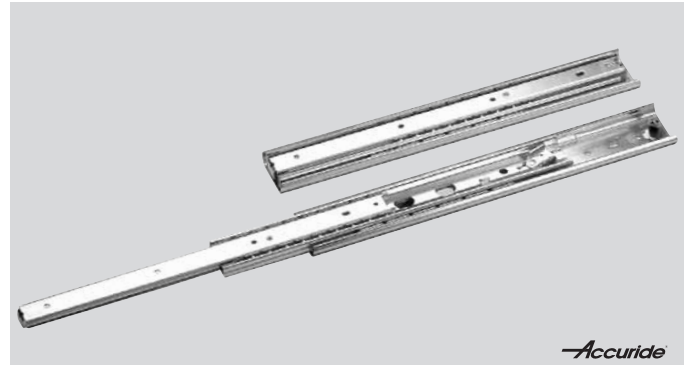
### Material:

Slide elements: Cold-rolled steel, zinc plated.  
Ball retainers: Cold-rolled, zinc-plated steel.  
Balls: Hardened steel.

Telescopic ball bearing slides for applications in the industrial and electronics sector.

- Lock-out in open position
- Fast disconnection.
- Mountings included.
- Bracket mount for electrical cabinets on request.
- Service life 10,000 cycles.

Ordering details: e.g.: Prod. No. 649 038 12, Slides 3607



Product No. per Pair	Slide Length mm	Travel +/-3.2 mm	A mm	B mm	C mm	D mm	E mm	F mm	G mm	H mm	Load Rating per Pair kg	Weight per Pair kg
649 038 12	305	305	-	135.4	179.1	204.5	229.9	-	-	228.6	90	1.71
649 038 14	356	356	-	186.2	229.9	255.3	280.7	-	-	279.4	90	2.02
649 038 16	406	406	-	237.0	280.7	306.1	331.5	-	257.3	330.2	100	2.27
649 038 18	457	457	-	287.8	331.5	356.9	382.3	-	308.1	381.0	110	2.62
649 038 20	508	508	215.9	338.6	382.3	407.7	433.1	203.2	358.9	431.8	120	2.93
649 038 22	559	559	241.3	389.4	433.1	458.5	483.9	228.6	409.7	482.6	110	3.24
649 038 24	610	610	266.7	440.2	483.9	509.3	534.7	254.0	460.5	533.4	100	3.53
649 038 26	660	660	292.1	491.0	534.7	560.1	585.5	279.4	511.3	584.2	92	3.83
649 038 28	711	711	317.5	541.8	585.5	610.9	636.3	304.8	562.1	635.0	83	4.16

### Note

Side-specific slide assembly: Levers move in same direction when pair of slides is installed.

Recommended mounts: M4 screw.

Use all mounting positions to achieve the max. load rating.