

Slides 0522, Width 26.5 mm, to 180 kg, Over Extension

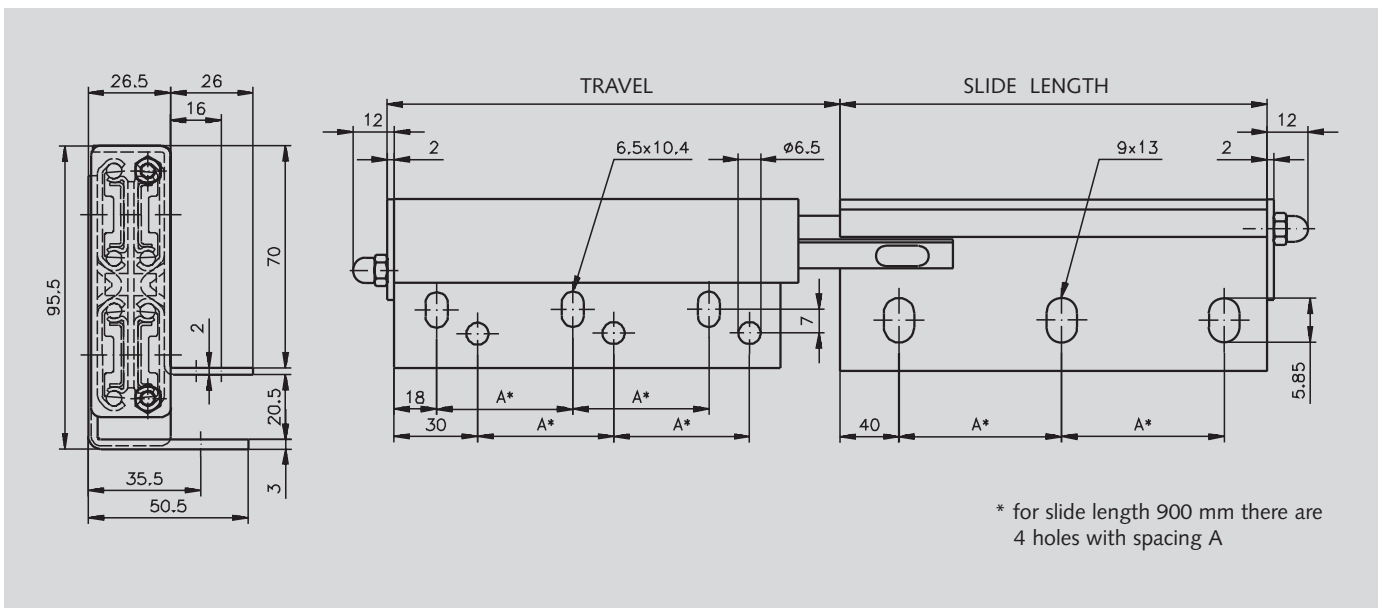
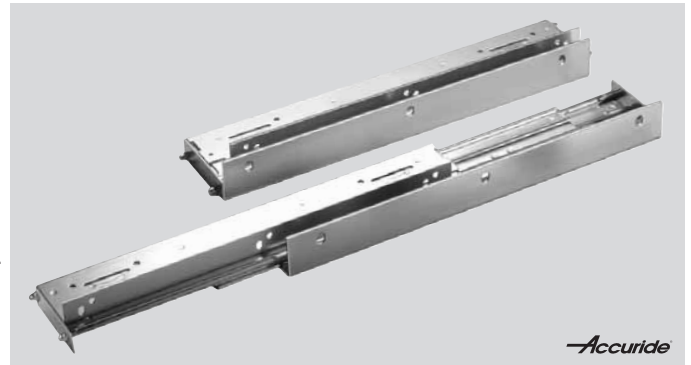
Material:

Slide elements: Cold-rolled steel, zinc plated.
Ball retainers: Cold-rolled, zinc-plated steel.
Balls: Hardened steel.

Telescopic ball bearing slides for applications in the industrial and electronics sector.

- Heavy-duty construction.
- Shock blocks offering protection against shock and vibration.
- Protective shroud prevents excessive contamination of the ball tracks.
- Mounting plates on inner and outer members.
- Service life 10,000 cycles.

Ordering details: e.g.: Prod. No. 649 058 59, Slides 0522



Product No. per Pair	Slide Length mm	Travel +/-3.2 mm	A mm	Overall Length mm	Load Rating per Pair kg	Weight per Pair kg
649 058 59	457	534.0	194.0	481	180	9.57
649 058 61	600	625.0	265.0	624	180	12.70
649 058 62	900	907.0	276.5	924	150	19.25

Note

Recommended mount: M6 screws on the inner, extending member, M8 screws on the outer fixed member.
Overall length = slide length + 24 mm. Use all mounting positions to achieve the max. load rating. The cabinet and drawer must be designed to minimise any deflection and torsion of the slide. Load rating is calculated for infrequent use. With frequent use, the load must be reduced to max 140 kg.

Selection tool
on the Internet at www.maedler.de
in the section **Mädler-Tools**