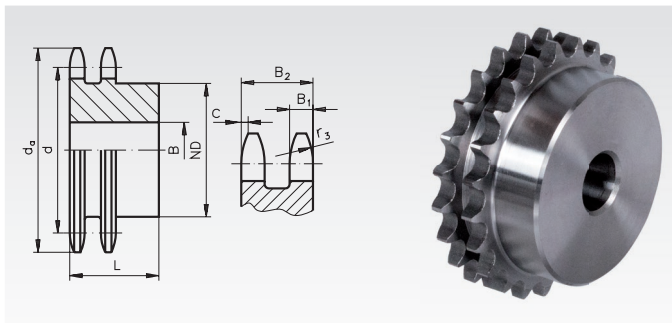


Double-Strand Sprockets ZRS with Hub, ISO 08 B-2



Material: Steel C45, not hardened.
Pre-bored.
Sprockets marked with * are made grey of grey cast iron GG25.

Ordering Details: e.g.: Product No. 125 111 00, ZRS, ISO 08 B-2, 11 Teeth

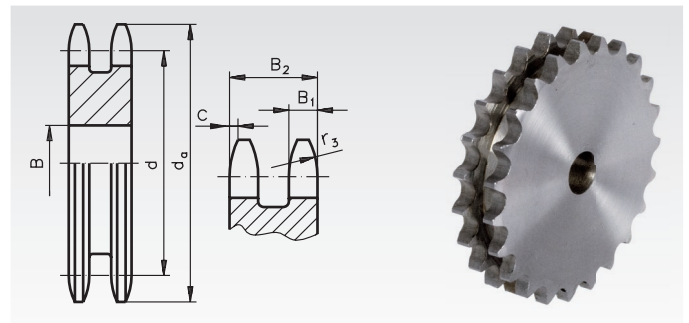
**ISO 08 B-2, Pitch 1/2 x 5/16",
B₁ = 7 mm, B₂ = 21 mm c = 1.3 mm, r₃ = 13 mm**

Product No.	Number of teeth	d _a mm	d mm	ND mm	B mm	L mm	Weight kg
125 111 00	11	48,7	45,07	32	12	35	0,25
125 112 00	12	53,0	49,07	35	12	35	0,30
125 113 00	13	57,4	53,07	38	12	35	0,36
125 114 00	14	61,8	57,07	42	12	35	0,44
125 115 00	15	65,5	61,09	46	12	35	0,52
125 116 00	16	69,5	65,10	50	16	35	0,60
125 117 00	17	73,6	69,11	54	16	35	0,70
125 118 00	18	77,8	73,14	58	16	35	0,80
125 119 00	19	81,7	77,16	62	16	35	0,92
125 120 00	20	85,8	81,19	66	16	35	1,03
125 121 00	21	89,7	85,22	70	16	40	1,28
125 122 00	22	93,8	89,24	70	16	40	1,37
125 123 00	23	98,2	93,27	70	16	40	1,45
125 124 00	24	101,8	97,29	75	16	40	1,64
125 125 00	25	105,8	101,33	80	16	40	1,81
125 126 00	26	110,0	105,36	85	20	40	1,98
125 127 00	27	114,0	109,40	85	20	40	2,08
125 128 00	28	118,0	113,42	90	20	40	2,30
125 130 00	30	126,1	121,50	100	20	40	2,74
125 132 00	32	134,3	129,56	100	20	40	2,99
125 135 00	35	146,7	141,68	100	20	40	3,38
125 136 00	36	151,0	145,72	110	20	40	3,77
125 138 00	38	158,6	153,80	110	20	40	4,07
125 140 00	40	166,8	161,87	110	20	40	4,39
125 145 00*	45	188,0	182,07	90	24	50	3,32
125 157 00*	57	236,4	230,54	90	24	50	4,30
125 176 00*	76	313,3	307,33	100	24	56	6,27
125 183 00*	95	390,1	384,11	100	24	56	8,25
125 188 00*	114	466,9	460,90	100	24	63	10,51



Sprockets marked with * are made from grey cast iron GG25.

Double-Strand plate wheels ZRL, ISO 08 B-2

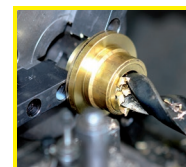


Material: Low-carbon steel, not hardable.
Pre-bored.

Ordering Details: e.g.: Product No. 125 211 00, ZRL, ISO 08 B-2, 11 Teeth

**ISO 08 B-2, Pitch 1/2 x 5/16",
B₁ = 7 mm, B₂ = 21 mm c = 1.3 mm, r₃ = 13 mm**

Product No.	Number of teeth	d _a mm	d mm	B mm	Weight kg
125 211 00	11	48,7	45,07	10	0,17
125 212 00	12	53,0	49,07	10	0,21
125 213 00	13	57,4	53,07	10	0,26
125 214 00	14	61,8	57,07	10	0,30
125 215 00	15	65,5	61,09	10	0,35
125 216 00	16	69,5	65,10	12	0,40
125 217 00	17	73,6	69,11	12	0,46
125 218 00	18	77,8	73,14	12	0,53
125 219 00	19	81,7	77,16	12	0,60
125 220 00	20	85,8	81,19	12	0,68
125 221 00	21	89,7	85,22	16	0,74
125 222 00	22	93,8	89,24	16	0,82
125 223 00	23	98,2	93,27	16	0,90
125 224 00	24	101,8	97,23	16	1,00
125 225 00	25	105,8	101,33	16	1,08
125 226 00	26	110,0	105,36	16	1,19
125 227 00	27	114,0	109,40	16	1,30
125 228 00	28	118,0	113,42	16	1,40
125 230 00	30	126,1	121,50	16	1,63
125 232 00	32	134,3	129,56	16	1,87
125 235 00	35	146,7	141,68	16	2,27
125 236 00	36	151,0	145,72	20	2,36
125 238 00	38	158,6	153,80	20	2,70
125 240 00	40	166,8	161,87	20	2,97
125 245 00	45	188,0	182,07	20	3,86
125 248 00	48	200,3	194,18	20	4,42
125 254 00	54	224,1	218,43	25	5,59
125 257 00	57	236,4	230,54	25	6,29
125 276 00	76	313,3	307,33	25	11,42
125 283 00	95	390,1	384,11	25	18,00
125 288 00	114	466,9	460,90	25	26,50



**Reworking within
24h-service possible.
Custom made parts
on request.**