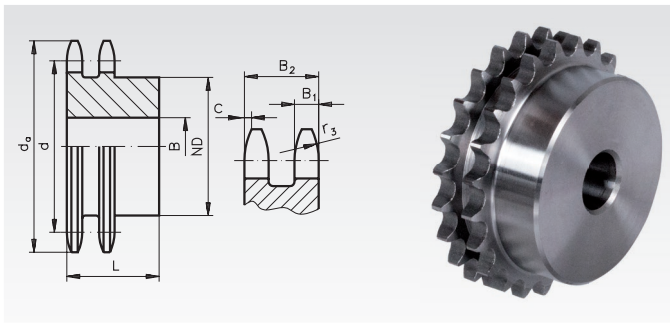


Double-Strand Sprockets ZRS with Hub, ISO 10 B-2



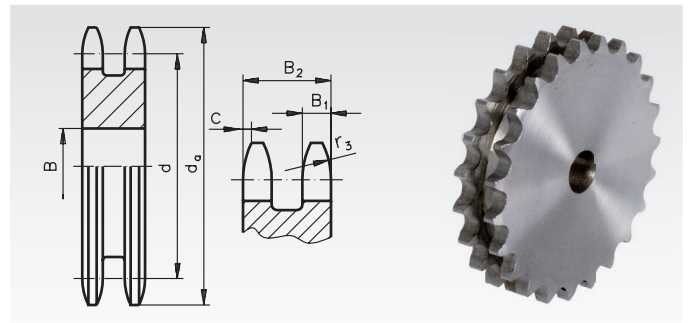
Material: Steel C45, not hardened.
Pre-bored.
Sprockets marked with * are made from grey cast iron GG25.

Ordering Details: e.g.: Product No. 126 111 00, ZRS, ISO 10 B-2, 11 Teeth

**ISO 10 B-2, Pitch 5/8 x 3/8",
B₁ = 9.0 mm, B₂ = 25.5 mm c = 1.6 mm, r₃ = 16 mm**

Product No.	Number of teeth	d _a mm	d mm	ND mm	B mm	L mm	Weight kg
126 111 00	11	63,0	56,34	39	16	40	0,45
126 112 00	12	68,0	61,34	44	16	40	0,57
126 113 00	13	73,0	66,32	49	16	40	0,70
126 114 00	14	78,0	71,34	54	16	40	0,84
126 115 00	15	83,0	76,36	59	16	40	0,99
126 116 00	16	88,0	81,37	64	16	45	1,25
126 117 00	17	93,0	86,39	69	16	45	1,47
126 118 00	18	98,3	91,42	74	16	45	1,68
126 119 00	19	103,3	96,45	79	16	45	1,90
126 120 00	20	108,4	101,49	84	16	45	2,14
126 121 00	21	113,4	106,52	85	16	45	2,30
126 122 00	22	118,0	111,55	90	16	45	2,59
126 123 00	23	123,4	116,58	95	16	45	2,87
126 124 00	24	128,3	121,62	100	16	45	3,14
126 125 00	25	134,0	126,66	105	16	45	3,48
126 127 00	27	144,0	136,75	110	20	45	3,94
126 130 00	30	158,8	151,87	120	20	45	4,87
126 132 00	32	168,9	161,95	120	20	45	5,34
126 136 00	36	189,1	182,15	120	20	45	6,38
126 138 00	38	199,2	192,24	120	20	45	6,95
126 145 00*	45	235,0	227,58	100	30	50	5,08
126 157 00*	57	296,0	288,18	100	30	56	6,81
126 176 00*	76	392,1	384,16	100	30	63	8,30
126 183 00*	95	488,5	480,14	110	30	63	12,02
126 188 00*	114	584,1	576,13	125	30	70	16,50

Double-Strand plate wheels ZRL, ISO 10 B-2



Material: Low-carbon steel, not hardable.
Pre-bored.

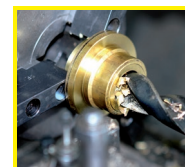
Ordering Details: e.g.: Product No. 126 211 00, ZRL, ISO 10 B-2, 11 Teeth

**ISO 10 B-2, Pitch 5/8 x 3/8",
B₁ = 9.0 mm, B₂ = 25.5 mm c = 1.6 mm, r₃ = 16 mm**

Product No.	Number of teeth	d _a mm	d mm	B mm	Weight kg
126 211 00	11	63,0	56,34	12	0,34
126 212 00	12	68,0	61,34	12	0,41
126 213 00	13	73,0	66,32	12	0,51
126 214 00	14	78,0	71,34	12	0,59
126 215 00	15	83,0	76,36	12	0,71
126 216 00	16	88,0	81,37	12	0,80
126 217 00	17	93,0	86,38	12	0,93
126 218 00	18	98,3	91,42	12	1,07
126 219 00	19	103,3	96,45	12	1,15
126 220 00	20	108,4	101,49	12	1,33
126 221 00	21	113,4	106,52	16	1,48
126 222 00	22	118,0	111,55	16	1,60
126 224 00	24	128,3	121,62	16	1,99
126 226 00	26	139,0	131,70	20	2,31
126 227 00	27	144,0	136,75	20	2,55
126 228 00	28	148,7	141,78	20	2,77
126 230 00	30	158,8	151,87	20	3,19
126 235 00	35	184,1	177,10	20	4,40
126 238 00	38	199,2	192,24	20	5,28
126 245 00	45	235,0	227,58	25	7,51
126 248 00	48	250,2	242,73	25	8,54
126 257 00	57	296,0	288,18	25	12,23
126 276 00	76	392,1	384,16	25	22,00
126 283 00	95	488,5	480,14	30	34,50
126 288 00	114	584,1	576,13	30	43,43



Sprockets marked with * are made from grey cast iron GG25.



**Reworking within
24h-service possible.
Custom made parts
on request.**