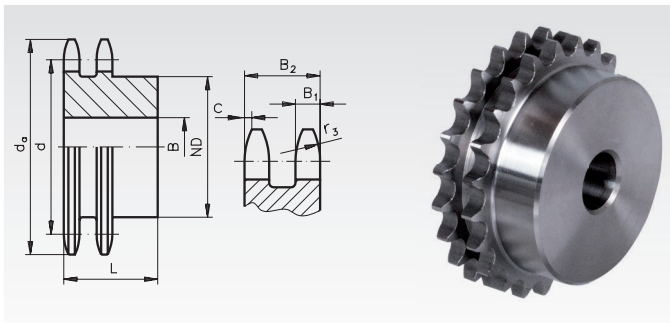


Double-Strand Sprockets ZRS with Hub, ISO 16 B-2



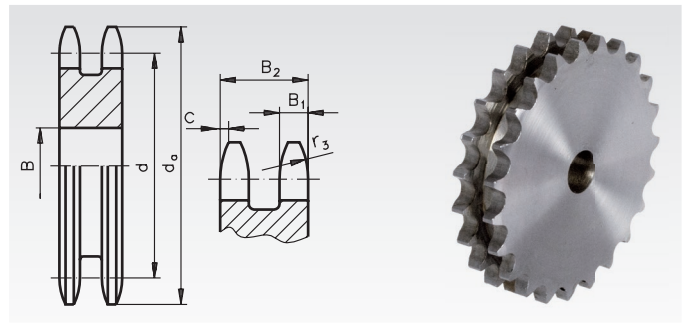
Material: Steel C45, not hardened.
Pre-bored.
Sprockets marked with * are made from grey cast iron GG25.

Ordering Details: e.g.: Product No. 128 111 00, ZRS, ISO 16 B-2, 11 Teeth

**ISO 16 B-2, Pitch 1" x 17.02 mm,
B₁ = 15.8 mm, B₂ = 47.7 mm c = 2.5 mm, r₃ = 26 mm**

Product No.	Number of teeth	d _a mm	d mm	ND mm	B mm	L mm	Weight kg
128 111 00	11	99,5	90,14	64	20	70	2,16
128 112 00	12	109,0	98,14	72	20	70	2,70
128 113 00	13	117,0	106,12	80	20	70	3,27
128 114 00	14	125,0	114,15	88	20	70	3,91
128 115 00	15	133,0	122,17	96	20	70	4,59
128 116 00	16	141,0	130,20	104	20	70	5,32
128 117 00	17	149,0	138,22	112	20	70	6,11
128 118 00	18	157,0	146,28	120	20	70	6,98
128 119 00	19	165,2	154,33	128	20	70	7,93
128 120 00	20	173,2	162,38	130	20	70	8,61
128 121 00	21	181,2	170,43	130	25	70	9,28
128 123 00	23	197,5	186,53	130	25	70	10,90
128 125 00	25	213,5	202,66	130	25	70	12,70
128 130 00	30	254,0	243,00	130	25	70	17,60
128 138 00*	38	320,0	307,59	140	40	75	18,60
128 145 00*	45	377,0	364,13	150	40	75	19,40
128 157 00*	57	474,0	461,08	170	40	90	31,00
128 176 00*	76	627,0	614,65	175	40	95	41,50

Double-Strand plate wheels ZRL, ISO 16 B-2



Material: Low-carbon steel, not hardable.
Pre-bored.

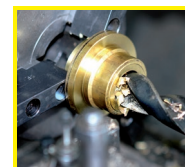
Ordering Details: e.g.: Product No. 128 211 00, ZRL, ISO 16 B-2, 11 Teeth

**ISO 16 B-2, Pitch 1" x 17.02 mm,
B₁ = 15.8 mm, B₂ = 47.7 mm c = 2.5 mm, r₃ = 26 mm**

Product No.	Number of teeth	d _a mm	d mm	B mm	Weight kg
128 211 00	11	99,5	90,14	20	1,63
128 212 00	12	109,0	98,14	20	1,98
128 214 00	14	125,0	114,15	20	2,86
128 216 00	16	141,0	130,20	20	3,86
128 218 00	18	157,0	146,28	20	5,10
128 220 00	20	173,0	162,38	20	6,30
128 222 00	22	189,3	178,48	25	7,80
128 224 00	24	205,5	194,59	25	9,40
128 227 00	27	229,6	218,79	25	12,20
128 230 00	30	254,0	243,00	25	15,20
128 235 00	35	296,2	283,36	25	21,00
128 236 00	36	304,6	291,44	25	22,46
128 238 00	38	320,7	307,59	25	25,00
128 245 00	45	377,1	364,13	25	35,50
128 248 00	48	401,3	388,36	30	39,00
128 257 00	57	474,0	461,07	40	53,50



Sprockets marked with * are made from grey cast iron GG25.



**Reworking within
24h-service possible.
Custom made parts
on request.**