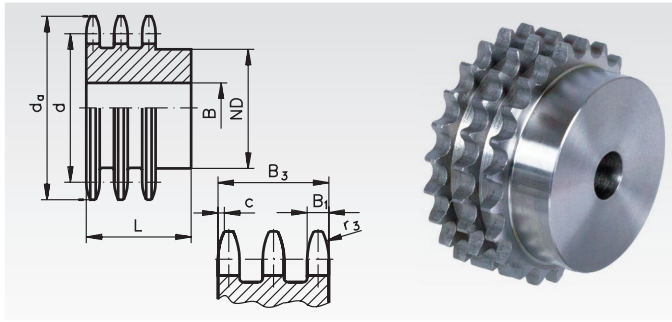


### Triple-Strand Sprockets DRS with Hub, ISO 16 B-3



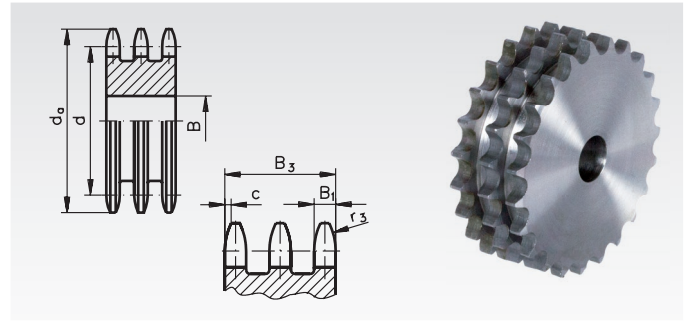
**Material:** Steel C45, not hardened.  
Pre-bored.  
Sprockets marked with \* are made from grey cast iron GG25.

Ordering Details: e.g.: Product No. 138 108 00, DRS, ISO 16 B-3, 8 Teeth

**ISO 16 B-3, Pitch 1" x 17.02 mm,  
B<sub>1</sub> = 15.8 mm, B<sub>3</sub> = 79.6 mm, c = 2.5 mm, r<sub>3</sub> = 26 mm**

Product No.	Number of teeth	d <sub>a</sub> mm	d mm	ND mm	B mm	L mm	Weight kg
138 108 00	8	77,9	66,37	42	20	95	1,19
138 109 00	9	85,8	74,26	50	20	95	1,68
138 110 00	10	93,8	82,19	56	20	95	2,24
138 111 00	11	101,7	90,14	64	25	100	2,86
138 112 00	12	109,7	98,14	72	25	100	3,62
138 113 00	13	117,7	106,12	80	25	100	4,45
138 114 00	14	125,7	114,15	88	25	100	5,37
138 115 00	15	133,7	122,17	96	25	100	6,37
138 116 00	16	141,8	130,20	104	30	100	7,45
138 117 00	17	149,8	138,22	112	30	100	8,60
138 118 00	18	157,8	146,28	120	30	100	9,84
138 119 00	19	165,9	154,33	128	30	100	11,16
138 120 00	20	173,2	162,38	130	30	100	12,36
138 121 00	21	182,0	170,43	130	30	100	13,56
138 122 00	22	190,1	178,48	130	30	100	14,82
138 123 00	23	198,1	186,53	130	30	100	16,15
138 124 00	24	206,2	194,59	130	30	100	17,53
138 125 00	25	213,5	202,66	130	30	100	18,99
138 126 00	26	222,3	210,72	130	30	100	20,34
138 127 00	27	230,4	218,79	130	30	100	21,92
138 128 00	28	238,4	226,85	130	30	100	23,57
138 129 00	29	246,5	234,92	130	30	100	25,27
138 130 00	30	254,6	243,00	130	30	100	27,05
138 131 00	31	262,6	251,08	140	30	100	29,23
138 132 00	32	270,7	259,13	140	30	100	31,13
138 135 00	35	294,9	283,36	140	30	100	37,23
138 136 00	36	303,0	291,44	140	30	100	39,39
138 138 00*	38	319,2	307,59	160	45	100	25,40
138 145 00*	45	377,9	364,12	160	45	100	33,60
138 157 00*	57	474,9	461,07	165	45	100	44,70
138 176 00*	76	628,4	614,65	200	45	110	63,10
138 183 00*	95	782,0	768,22	200	50	110	77,00
138 188 00*	114	935,6	921,81	200	50	115	97,00

### Triple-Strand Plate wheels DRL, ISO 16 B-3

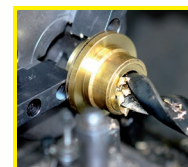


**Material:** Low-carbon steel, not hardable.  
Pre-bored.

Ordering Details: e.g.: Product No. 138 208 00, DRL, ISO 16 B-3, 8 Teeth

**ISO 16 B-3, Pitch 1" x 17.02 mm,  
B<sub>1</sub> = 15.8 mm, B<sub>3</sub> = 79.6 mm, c = 2.5 mm, r<sub>3</sub> = 26 mm**

Product No.	Number of teeth	d <sub>a</sub> mm	d mm	B mm	Weight kg
138 208 00	8	77,9	66,37	20	1,13
138 210 00	10	93,8	82,19	20	2,05
138 212 00	12	109,7	98,14	20	3,15
138 214 00	14	125,7	114,15	20	4,59
138 216 00	16	141,8	130,20	30	6,16
138 218 00	18	157,8	146,28	30	8,11
138 220 00	20	173,2	162,38	30	10,31
138 222 00	22	190,1	178,48	30	12,77
138 224 00	24	206,2	194,59	30	14,49
138 227 00	27	230,4	218,79	30	19,91
138 230 00	30	254,6	243,00	30	25,04
138 235 00	35	294,9	283,36	30	34,88
138 238 00	38	319,2	307,59	30	41,56
138 245 00	45	377,9	364,12	30	59,36
138 248 00	48	402,1	388,36	30	67,69
138 257 00	57	474,9	461,07	40	96,87



**Reworking within  
24h-service possible.  
Custom made parts  
on request.**