

## Chain Tensioning Wheels KSP-R with Bearing for Single-Strand Roller Chain DIN ISO 606, Stainless Steel

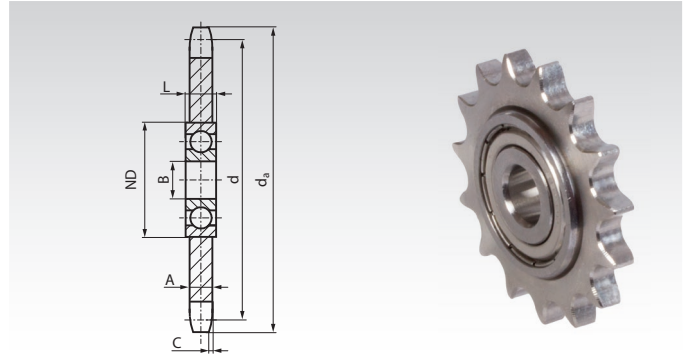
**Material:** Sprocket stainless steel 1.4305.  
Ball bearing stainless steel.



Ready-to-mount idlers, complete with bearing.

Cost-efficient. Can be mounted at the deflection or tensioning points. Perfect workmanship and stable mounting of the ball bearing with shields on both sides guarantee a high resistance against breakage and wear. Maintenance-free bearing, with grease filling.

Temperature range: -20° to +120°C.



Ordering Details: e.g.: Product No. 140 990 01, Chain Tensioning Wheel KSP-R, 06 B-1

Product No.	DIN ISO	Pitch Inch	Number of teeth	d <sub>a</sub> mm	d mm	A mm	C mm	B mm	ND mm	L mm	Weight kg
140 990 01	06 B-1	3/8 x 7/32"	15	49,5	45,81	5,3	1,0	10 <sup>+0,008</sup>	30	9	0,06
140 990 05	08 B-1	1/2 x 5/16"	15	65,9	61,09	7,2	1,3	10 <sup>+0,008</sup>	30	9	0,15
140 990 06	10 B-1	5/8 x 3/8"	15	83,2	76,36	9,1	1,6	12 <sup>+0,008</sup>	37	12	0,27
140 990 07	12 B-1	3/4 x 7/16"	15	99,8	91,63	11,1	2,0	12 <sup>+0,008</sup>	37	12	0,47
140 990 08	16 B-1	1" x 17,02mm	13	117,7	106,12	16,2	2,5	20 <sup>+0,010</sup>	52	15	0,88

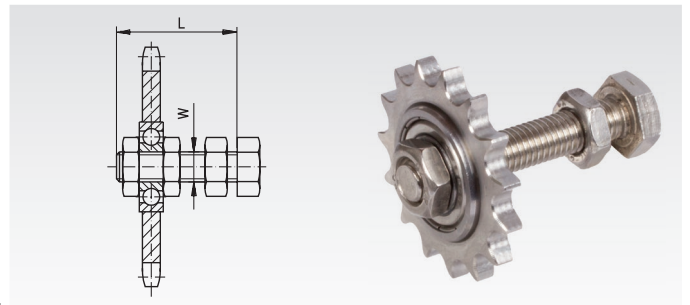
## Sprocket Sets for Chain Tensioners Single, Stainless Steel

**Material:** Sprocket stainless steel 1.4305.  
Ball bearing, screw and nuts stainless steel.



The sprocket can be moved on the screw and thus be aligned with the chain. It is locked in the desired position with the nuts. The permanently lubricated 2-Z bearings are sealed on both sides and guarantee perfect running of the sprocket.

Temperature range: -20° to +120°C.



Ordering Details: e.g.: Product No. 140 995 01, Sprocket Set for Chain Tensioner 06 B-1

Product No.	Matching Tensioning Element Size	DIN ISO	Number of Teeth	Pitch Ø mm	L mm	W mm	Weight kg
140 995 01	1 and 2	06 B - 1	15	45,81	55	M10	0,08
140 995 05	1 and 2	08 B - 1	15	61,08	55	M10	0,20
140 995 06	3	10 B - 1	15	76,36	80	M12	0,30
140 995 07	3	12 B - 1	15	91,63	80	M12	0,51
140 995 08	4	16 B - 1	13	106,14	100	M20	0,95