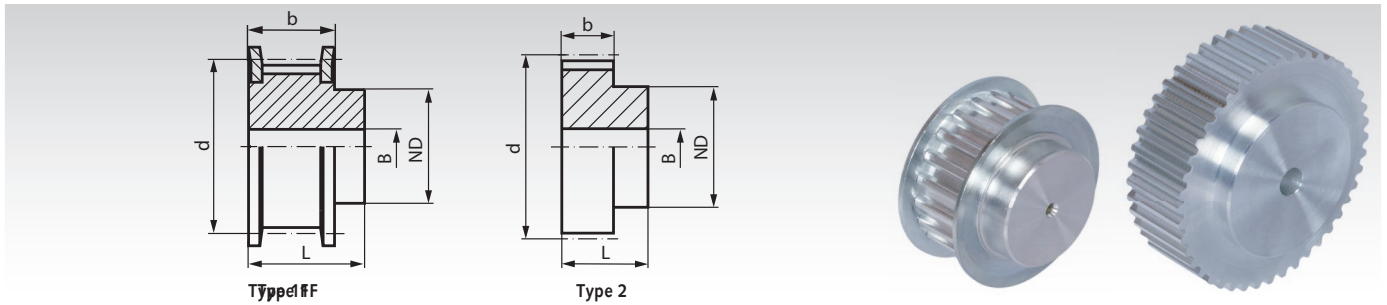


T Pulleys, Pitch 10 mm Made from Aluminium



Material: Aluminium similar to EN AW2017A. Flanges zinc-plated steel.

Ordering Details: e.g.: Product No. 164 418 00, Pulley, Pitch T10, 18 Teeth, Timing Belt Width 32 mm

Profile T 10, Timing Belt Width 32 mm

Product No. Timing Belt Width 32 mm	Type	Number of teeth	Type	Outside Ø			ND mm	b mm	L mm	Pilot Hole B mm	Weight g
				Pulley mm	Flange mm	d mm					
164 412 00	47 T10/12-2	12	1F	36,35	42	38,20	28	37	47	8	125
164 414 00	47 T10/14-2	14	1F	42,70	48	44,56	32	37	47	8	165
164 415 00	47 T10/15-2	15	1F	45,90	51	47,75	32	37	47	8	190
164 416 00	47 T10/16-2	16	1F	49,10	54	50,93	35	37	47	8	210
164 418 00	47 T10/18-2	18	1F	55,45	60	57,30	40	37	47	10	250
164 419 00	47 T10/19-2	19	1F	58,65	66	60,48	44	37	47	10	290
164 420 00	47 T10/20-2	20	1F	61,80	66	63,66	46	37	47	12	320
164 422 00	47 T10/22-2	22	1F	68,20	75	70,03	52	37	47	12	390
164 424 00	47 T10/24-2	24	1F	74,55	83	76,39	58	37	47	12	470
164 425 00	47 T10/25-2	25	1F	77,75	83	79,58	60	37	47	12	530
164 426 00	47 T10/26-2	26	1F	80,90	87	82,76	60	37	47	12	560
164 427 00	47 T10/27-2	27	1F	84,10	91	85,94	60	37	47	12	600
164 428 00	47 T10/28-2	28	1F	87,25	93	89,13	60	37	47	12	640
164 430 00	47 T10/30-2	30	1F	93,65	97	95,49	60	37	47	12	740
164 432 00	47 T10/32-2	32	1F	100,00	106	101,86	65	37	47	12	840
164 436 00	47 T10/36-2	36	1F	112,75	119	114,59	70	37	47	16	1060
164 440 00	47 T10/40-2	40	1F	125,45	131	127,32	80	37	47	16	1320
164 444 00	47 T10/44-0	44	2	138,20	-	140,06	88	37	47	16	1610
164 448 00	47 T10/48-0	48	2	150,95	-	152,79	95	37	47	16	1930
164 460 00	47 T10/60-0	60	2	189,10	-	190,99	110	37	47	16	3000

Profile T 10, Timing Belt Width 50 mm

Product No. Timing Belt Width 50 mm	Type	Number of teeth	Type	Outside Ø			ND mm	b mm	L mm	Pilot Hole B mm	Weight g
				Pulley mm	Flange mm	d mm					
164 512 00	66 T10/12-2	12	1F	36,35	42	38,20	28	56	66	8	170
164 514 00	66 T10/14-2	14	1F	42,70	48	44,56	32	56	66	8	220
164 515 00	66 T10/15-2	15	1F	45,90	51	47,75	32	56	66	8	270
164 516 00	66 T10/16-2	16	1F	49,10	54	50,93	35	56	66	8	300
164 518 00	66 T10/18-2	18	1F	55,45	60	57,30	40	56	66	10	420
164 519 00	66 T10/19-2	19	1F	58,65	66	60,48	44	56	66	10	470
164 520 00	66 T10/20-2	20	1F	61,80	66	63,66	46	56	66	12	520
164 522 00	66 T10/22-2	22	1F	68,20	75	70,03	52	56	66	12	570
164 524 00	66 T10/24-2	24	1F	74,55	83	76,39	58	56	66	12	740
164 525 00	66 T10/25-2	25	1F	77,75	83	79,58	60	56	66	12	770
164 526 00	66 T10/26-2	26	1F	80,90	87	82,76	60	56	66	12	820
164 527 00	66 T10/27-2	27	1F	84,10	91	85,94	60	56	66	12	950
164 528 00	66 T10/28-2	28	1F	87,25	93	89,13	60	56	66	12	960
164 530 00	66 T10/30-2	30	1F	93,65	97	95,49	60	56	66	12	1170
164 532 00	66 T10/32-2	32	1F	100,00	106	101,86	65	56	66	12	1300
164 536 00	66 T10/36-2	36	1F	112,75	119	114,59	70	56	66	16	1640
164 540 00	66 T10/40-2	40	1F	125,45	131	127,32	80	56	66	16	2000
164 544 00	66 T10/44-0	44	2	138,20	-	140,06	88	56	66	16	2360
164 548 00	66 T10/48-0	48	2	150,95	-	152,79	95	56	66	16	2830
164 560 00	66 T10/60-0	60	2	189,10	-	190,99	110	56	66	16	4370