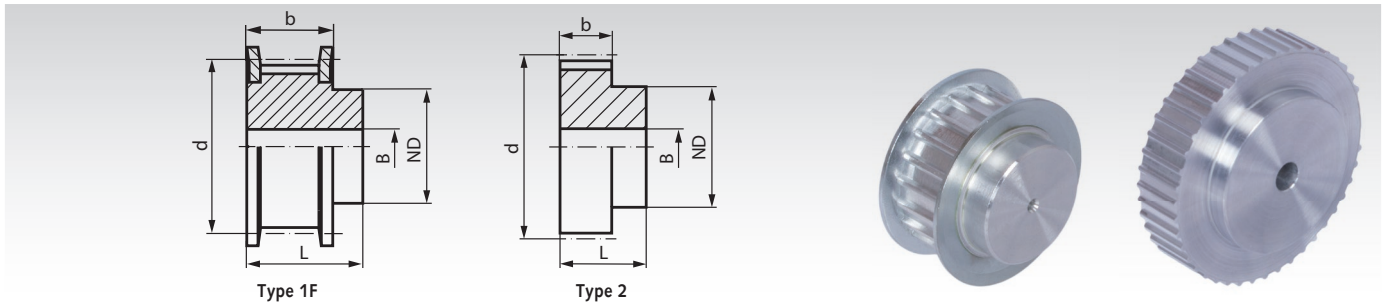


AT Pulleys, Pitch 5 mm Made from Aluminium



Material: Aluminium similar to EN AW2017A. Flanges zinc-plated steel.

Ordering Details: e.g.: Product No. 166 212 00, Pulley, Pitch AT5, 12 Teeth, Timing Belt Width 10 mm

Profile AT 5, Timing Belt Width 10 mm

Product No. Timing Belt Width 10 mm	Type	Number of teeth	Type	Outside Ø			ND mm	b mm	L mm	Pilot Hole B mm	Weight g
				Pulley mm	Flange mm	d mm					
166 212 00	21 AT5/12-2	12	1F	17,85	23	19,10	10	15	21	-	16
166 214 00	21 AT5/14-2	14	1F	21,05	25	22,28	13	15	21	-	19
166 215 00	21 AT5/15-2	15	1F	22,65	28	23,87	16	15	21	-	21
166 216 00	21 AT5/16-2	16	1F	24,20	32	25,46	18	15	21	-	25
166 218 00	21 AT5/18-2	18	1F	27,40	32	28,65	20	15	21	-	31
166 219 00	21 AT5/19-2	19	1F	29,00	36	30,24	22	15	21	-	36
166 220 00	21 AT5/20-2	20	1F	30,60	36	31,88	23	15	21	-	38
166 222 00	21 AT5/22-2	22	1F	33,85	38	35,01	24	15	21	-	46
166 224 00	21 AT5/24-2	24	1F	37,00	42	38,20	26	15	21	-	54
166 225 00	21 AT5/25-2	25	1F	38,60	44	39,79	26	15	21	-	58
166 226 00	21 AT5/26-2	26	1F	40,20	44	41,38	26	15	21	-	62
166 227 00	21 AT5/27-2	27	1F	41,80	48	42,97	30	15	21	8	64
166 228 00	21 AT5/28-2	28	1F	43,35	48	44,56	32	15	21	8	71
166 230 00	21 AT5/30-2	30	1F	46,55	51	47,75	34	15	21	8	75
166 232 00	21 AT5/32-2	32	1F	49,70	54	50,93	38	15	21	8	88
166 236 00	21 AT5/36-2	36	1F	56,05	64	57,30	38	15	21	8	114
166 240 00	21 AT5/40-2	40	1F	62,45	66	63,66	40	15	21	8	138
166 242 00	21 AT5/42-2	42	1F	65,60	71	66,84	40	15	21	8	180
166 244 00	21 AT5/44-0	44	2	68,80	-	70,03	45	15	21	8	185
166 248 00	21 AT5/48-0	48	2	75,15	-	76,39	50	15	21	8	200
166 260 00	21 AT5/60-0	60	2	94,25	-	95,49	65	15	21	8	307

Profile AT 5, Timing Belt Width 16 mm

Product No. Timing Belt Width 16 mm	Type	Number of teeth	Type	Outside Ø			ND mm	b mm	L mm	Pilot Hole B mm	Weight g
				Pulley mm	Flange mm	d mm					
166 312 00	27 AT5/12-2	12	1F	17,85	23	19,10	10	21	27	-	22
166 314 00	27 AT5/14-2	14	1F	21,05	25	22,28	13	21	27	-	26
166 315 00	27 AT5/15-2	15	1F	22,65	28	23,87	16	21	27	-	29
166 316 00	27 AT5/16-2	16	1F	24,20	32	25,46	18	21	27	-	35
166 318 00	27 AT5/18-2	18	1F	27,40	32	28,65	20	21	27	-	43
166 319 00	27 AT5/19-2	19	1F	29,00	36	30,24	22	21	27	-	49
166 320 00	27 AT5/20-2	20	1F	30,60	36	31,88	23	21	27	-	53
166 322 00	27 AT5/22-2	22	1F	33,85	38	35,01	24	21	27	-	54
166 324 00	27 AT5/24-2	24	1F	37,00	42	38,20	26	21	27	-	76
166 325 00	27 AT5/25-2	25	1F	38,60	44	39,79	26	21	27	-	81
166 326 00	27 AT5/26-2	26	1F	40,20	44	41,38	26	21	27	-	85
166 327 00	27 AT5/27-2	27	1F	41,80	48	42,97	30	21	27	8	90
166 328 00	27 AT5/28-2	28	1F	43,35	48	44,56	32	21	27	8	92
166 330 00	27 AT5/30-2	30	1F	46,55	51	47,75	34	21	27	8	105
166 332 00	27 AT5/32-2	32	1F	49,70	54	50,93	38	21	27	8	123
166 336 00	27 AT5/36-2	36	1F	56,05	64	57,30	38	21	27	8	160
166 340 00	27 AT5/40-2	40	1F	62,45	66	63,66	40	21	27	8	193
166 342 00	27 AT5/42-2	42	1F	65,60	71	66,84	40	21	27	8	205
166 344 00	27 AT5/44-0	44	2	68,80	-	70,03	45	21	27	8	228
166 348 00	27 AT5/48-0	48	2	75,15	-	76,39	50	21	27	8	280
166 360 00	27 AT5/60-0	60	2	94,25	-	95,49	65	21	27	8	430