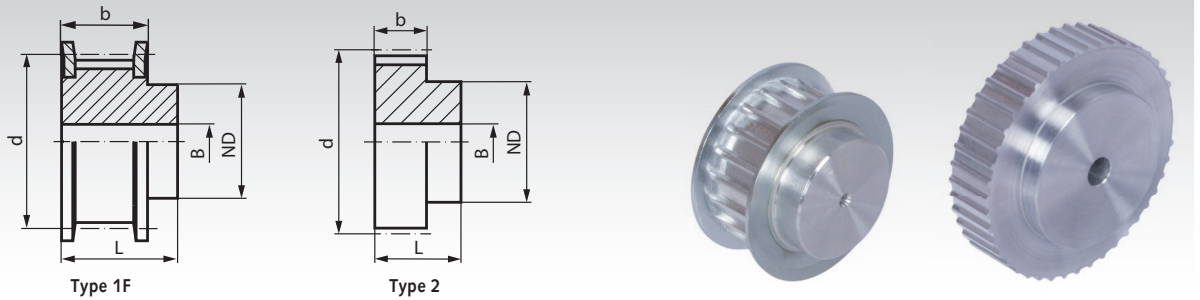


AT Pulleys, Pitch 10 mm Made from Aluminium



Material: Aluminium similar to EN AW2017A. Flanges zinc-plated steel.

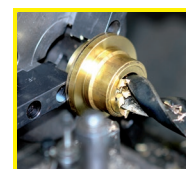
Ordering Details: e.g.: Product No. 168 418 00, Pulley, Pitch AT 10, 18 Teeth, Timing Belt Width 32 mm

Profile AT 10, Timing Belt Width 32 mm

Product No. Timing Belt Width 32 mm	Type	Number of teeth	Type	Outside Ø		d mm	ND mm	b mm	L mm	Pilot Hole B mm	Weight g
				Pulley mm	Flange mm						
168 415 00	47 AT10/15-2	15	1F	45,90	51	47,75	32	37	47	8	185
168 416 00	47 AT10/16-2	16	1F	49,05	54	50,93	35	37	47	8	215
168 418 00	47 AT10/18-2	18	1F	55,45	60	57,30	40	37	47	10	250
168 419 00	47 AT10/19-2	19	1F	58,65	66	60,48	44	37	47	10	290
168 420 00	47 AT10/20-2	20	1F	61,80	66	63,66	46	37	47	12	320
168 422 00	47 AT10/22-2	22	1F	68,20	75	70,03	52	37	47	12	390
168 424 00	47 AT10/24-2	24	1F	74,55	83	76,39	58	37	47	12	470
168 425 00	47 AT10/25-2	25	1F	77,75	83	79,58	60	37	47	12	530
168 426 00	47 AT10/26-2	26	1F	80,90	87	82,76	60	37	47	12	560
168 427 00	47 AT10/27-2	27	1F	84,10	91	85,94	60	37	47	12	600
168 428 00	47 AT10/28-2	28	1F	87,25	93	89,13	60	37	47	12	640
168 430 00	47 AT10/30-2	30	1F	93,65	97	95,49	60	37	47	12	740
168 432 00	47 AT10/32-2	32	1F	100,00	106	101,86	65	37	47	12	840
168 436 00	47 AT10/36-2	36	1F	112,75	119	114,59	70	37	47	16	1060
168 440 00	47 AT10/40-2	40	1F	125,45	131	127,32	80	37	47	16	1320
168 444 00	47 AT10/44-0	44	2	138,20	-	140,06	88	37	47	16	1610
168 448 00	47 AT10/48-0	48	2	150,95	-	152,79	95	37	47	16	1930
168 460 00	47 AT10/60-0	60	2	189,10	-	190,99	110	37	47	16	3000

Profile AT 10, Timing Belt Width 50 mm

Product No. Timing Belt Width 50 mm	Type	Number of teeth	Type	Outside Ø		d mm	ND mm	b mm	L mm	Pilot Hole B mm	Weight g
				Pulley mm	Flange mm						
168 515 00	66 AT10/15-2	15	1F	45,90	51	47,75	32	56	66	8	260
168 516 00	66 AT10/16-2	16	1F	49,05	54	50,93	35	56	66	8	300
168 518 00	66 AT10/18-2	18	1F	55,45	60	57,30	40	56	66	10	420
168 519 00	66 AT10/19-2	19	1F	58,65	66	60,48	44	56	66	10	470
168 520 00	66 AT10/20-2	20	1F	61,80	66	63,66	46	56	66	12	520
168 522 00	66 AT10/22-2	22	1F	68,20	75	70,03	52	56	66	12	570
168 524 00	66 AT10/24-2	24	1F	74,55	83	76,39	58	56	66	12	740
168 525 00	66 AT10/25-2	25	1F	77,75	83	79,58	60	56	66	12	770
168 526 00	66 AT10/26-2	26	1F	80,90	87	82,76	60	56	66	12	820
168 527 00	66 AT10/27-2	27	1F	84,10	91	85,94	60	56	66	12	950
168 528 00	66 AT10/28-2	28	1F	87,25	93	89,13	60	56	66	12	960
168 530 00	66 AT10/30-2	30	1F	93,65	97	95,49	60	56	66	12	1170
168 532 00	66 AT10/32-2	32	1F	100,00	106	101,86	65	56	66	12	1300
168 536 00	66 AT10/36-2	36	1F	112,75	119	114,59	70	56	66	16	1640
168 540 00	66 AT10/40-2	40	1F	125,45	131	127,32	80	56	66	16	2000
168 544 00	66 AT10/44-0	44	2	138,20	-	140,06	88	56	66	16	2360
168 548 00	66 AT10/48-0	48	2	150,95	-	152,79	95	56	66	16	2830
168 560 00	66 AT10/60-0	60	2	189,10	-	190,99	110	56	66	16	4370



**Reworking within
24h-service possible.
Custom made parts
on request.**