

V-Belt Pulleys for Taper Bushes, 1 Groove

Material: cast iron EN-GJL-250.

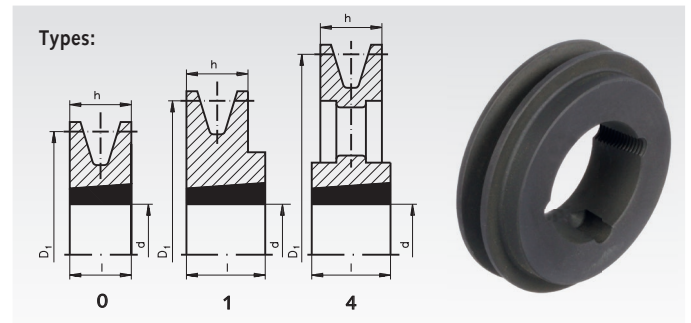
Taper V-belt pulleys similar to DIN 2211 or DIN 2217 matching narrow V-belts DIN 2215 und DIN 7753.

Design:

B = dished pulley

V = solid pulley

Ordering Details: e.g.: Product No. 151 106 00, V-Belt Pulley for Taper Clamping Bush, 1 Groove, Profile 10, Ø63 mm



Profile 10 and SPZ

Product No.	Nominal Ø D ₁ mm	Design	Type	h mm	l mm	Relation of Hub to Rim	Bush* No.	Bore d mm	Weight approx. kg
151 106 00	63	V	1	16	22	one-sided projecting 6	1108	9 - 28	0,30
151 107 00	71	V	1	16	22	one-sided projecting 6	1108	9 - 28	0,40
151 108 00	80	V	1	16	25	one-sided projecting 9	1210	10 - 32	0,50
151 109 00	90	V	1	16	25	one-sided projecting 9	1210	10 - 32	0,70
151 110 00	100	V	1	16	25	one-sided projecting 9	1210	10 - 32	0,80
151 111 00	112	V	1	16	25	one-sided projecting 9	1610	12 - 42	1,00
151 112 00	125	V	1	16	25	one-sided projecting 9	1610	12 - 42	1,20
151 114 00	140	V	1	16	25	one-sided projecting 9	1610	12 - 42	1,60
151 116 00	160	V	1	16	25	one-sided projecting 9	1610	12 - 42	2,10
151 118 00	180	B	4	16	25	one-sided projecting 9	1610	12 - 42	1,80
151 120 00	200	B	4	16	32	one-sided projecting 16	2012	12 - 50	2,50
151 122 00	224	B	4	16	32	one-sided projecting 16	2012	12 - 50	2,80
151 125 00	250	B	4	16	32	projecting on both sides 8	2012	12 - 50	3,30
151 128 00	280	B	4	16	32	projecting on both sides 8	2012	12 - 50	3,80
151 131 00	315	B	4	16	32	projecting on both sides 8	2012	12 - 50	4,80

Profile 13 and SPA

Product No.	Nominal Ø D ₁ mm	Design	Type	h mm	l mm	Relation of Hub to Rim	Bush* No.	Bore d mm	Weight approx. kg
153 107 00	71	V	1	20	22	one-sided projecting 2	1108	9 - 28	0,40
153 108 00	80	V	1	20	25	one-sided projecting 5	1210	10 - 32	0,53
153 109 00	90	V	1	20	25	one-sided projecting 5	1210	10 - 32	0,80
153 110 00	100	V	1	20	25	one-sided projecting 5	1610	12 - 42	0,90
153 111 00	112	V	1	20	25	one-sided projecting 5	1610	12 - 42	1,00
153 112 00	125	V	1	20	25	one-sided projecting 5	1610	12 - 42	1,30
153 114 00	140	V	1	20	25	one-sided projecting 5	1610	12 - 42	1,80
153 116 00	160	V	1	20	25	one-sided projecting 5	1610	12 - 42	2,20
153 118 00	180	B	4	20	25	one-sided projecting 5	1610	12 - 42	2,10
153 120 00	200	B	4	20	32	one-sided projecting 12	2012	12 - 50	2,80
153 122 00	224	B	4	20	32	one-sided projecting 12	2012	12 - 50	3,20
153 125 00	250	B	4	20	32	projecting on both sides 6	2012	12 - 50	3,70
153 128 00	280	B	4	20	32	one-sided projecting 12	2012	12 - 50	4,00
153 131 00	315	B	4	20	32	one-sided projecting 12	2012	12 - 50	4,60

Profile 17 and SPB

Product No.	Nominal Ø D ₁ mm	Design	Type	h mm	l mm	Relation of Hub to Rim	Bush* No.	Bore d mm	Weight approx. kg
155 110 00	100	V	0	25	25	flush on both sides	1610	12 - 42	0,90
155 111 00	112	V	0	25	25	flush on both sides	1610	12 - 42	1,10
155 112 00	125	V	0	25	25	flush on both sides	1610	12 - 42	1,50
155 114 00	140	V	0	25	25	flush on both sides	1610	12 - 42	2,00
155 116 00	160	V	0	25	25	flush on both sides	1610	12 - 42	2,80
155 118 00	180	V	4	25	25	flush on both sides	1610	12 - 42	3,70
155 120 00	200	B	4	25	32	projecting on both sides 3.5	2012	12 - 50	4,10
155 122 00	224	B	4	25	32	projecting on both sides 3.5	2012	12 - 50	4,60
155 125 00	250	B	4	25	32	projecting on both sides 3.5	2012	12 - 50	5,60
155 128 00	280	B	4	25	32	projecting on both sides 3.5	2012	12 - 50	8,00



Matching Taper bushes see page 340.
Mounting instructions see page 867.

*Other diameters or larger number of grooves
at short notice, on request.*