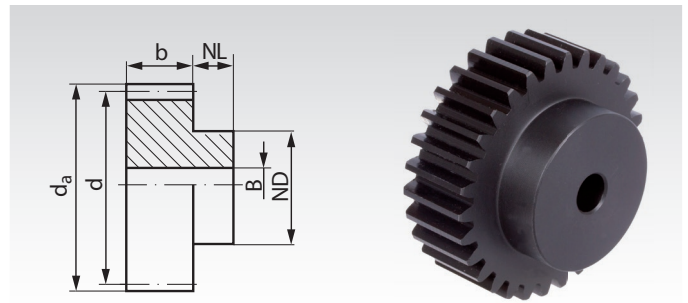


Spur Gears made from POM, Black, wide Version, with One-Sided Hub, Straight Tooth System, Milled Teeth

Tooth quality 10d25 DIN 3967.
 Pressure angle 20°.
 Untoleranced dimensions in accordance with DIN ISO 2768 m.
 Temperature limit: continuous 100°C, only short time 140°C.
 Water absorption (satiated) 0.5% Cws.
 Other material reference values page 864.



Order. Details: e.g.: Product No. 296 110 10, Spur Gear, POM black, Module 2, 10 Teeth

Module 2 Tooth Width b = 20 mm

Product No.	Number of teeth	b mm	da mm	d mm	NL mm	ND mm	BS10 mm	perm. MT* Nm	Weight g
296 110 10	10	20	24	20	15	15	8	0,75	9,9
296 110 12	12	20	28	24	15	18	8	1,04	15,4
296 110 15	15	20	34	30	15	24	8	1,55	25,9
296 110 18	18	20	40	36	15	25	8	2,06	35,3
296 110 20	20	20	44	40	15	30	8	2,69	46,4
296 110 24	24	20	52	48	15	35	12	4,25	64,6
296 110 25	25	20	54	50	15	35	12	4,63	68,9
296 110 30	30	20	64	60	15	40	12	7,19	98,9
296 110 36	36	20	76	72	15	50	12	11,5	148
296 110 40	40	20	84	80	15	50	12	14,3	175
296 110 45	45	20	94	90	15	60	12	17,6	230
296 110 50	50	20	104	100	15	70	15	19,8	289
296 110 60	60	20	124	120	15	70	15	24,0	385
296 110 90	90	20	184	180	15	90	20	36,1	821

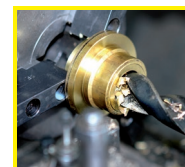
Module 2.5 Tooth Width b = 25 mm

Product No.	Number of teeth	b mm	da mm	d mm	NL mm	ND mm	BS10 mm	perm. MT* Nm	Weight g
297 110 10	10	25	30	25	15	20	8	1,54	20,0
297 110 12	12	25	35	30	15	20	8	2,14	27,5
297 110 15	15	25	42,5	37,5	15	25	8	3,20	44,9
297 110 18	18	25	50	45	15	35	8	4,25	71,5
297 110 20	20	25	55	50	15	35	12	5,56	81,7
297 110 24	24	25	65	60	15	40	12	8,75	118
297 110 25	25	25	67,5	62,5	15	45	12	9,65	133
297 110 30	30	25	80	75	15	50	12	15,0	187
297 110 36	36	25	95	90	15	60	12	24,0	273
297 110 40	40	25	105	100	15	70	12	30,0	346
297 110 45	45	25	117,5	112,5	15	70	15	34,5	414
297 110 50	50	25	130	125	15	80	15	38,8	519
297 110 60	60	25	155	150	15	90	15	46,8	734

Module 3 Tooth Width b = 30 mm

Product No.	Number of teeth	b mm	da mm	d mm	NL mm	ND mm	BS10 mm	perm. MT* Nm	Weight g
298 110 10	10	30	36	30	20	25	12	2,79	35,1
298 110 12	12	30	42	36	20	25	12	3,84	48,0
298 110 15	15	30	51	45	20	35	12	5,76	84,9
298 110 18	18	30	60	54	20	45	12	7,74	131
298 110 20	20	30	66	60	20	45	12	10,1	154
298 110 24	24	30	78	72	20	50	12	15,8	216
298 110 25	25	30	81	75	20	60	14	17,5	251
298 110 30	30	30	96	90	20	60	14	27,2	332
298 110 35	35	30	111	105	20	80	14	41,9	489
298 110 36	36	30	114	108	20	80	14	45,0	509
298 110 40	40	30	126	120	20	80	14	52,4	599
298 110 45	45	30	141	135	20	90	20	59,5	749
298 110 50	50	30	156	150	20	100	20	66,7	930
298 110 60	60	30	186	180	20	100	20	81,0	1253

* Basis of calculations see page 197.



**Reworking within
24h-service possible.
Custom made parts
on request.**