

Precision Worm Gear Sets - Right Hand (Worm Gears and Hollow Worms)

Pressure angle 15°.

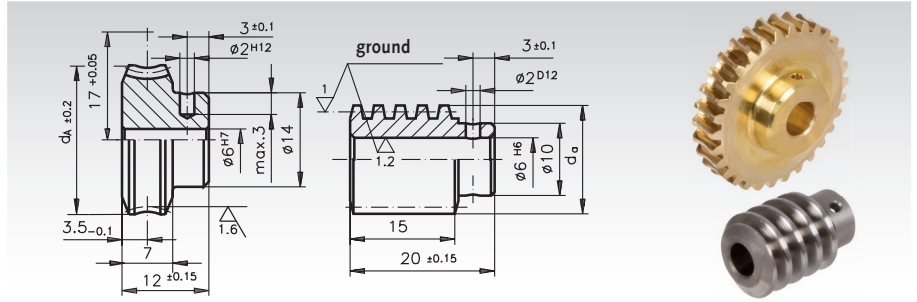
Material:

Worm gear: special brass CuZn40Al2/So.
Worm: 11SMnPb30, inspected for fissures, case hardened HV620-700, ground.
Can be built into gear systems, no reworking required, thus short assembly times.

Ordering Details: e.g.:

Product No. 320 002 00, Prec. Worm Gear A 17

Product No. 320 102 00, Prec. Worm A 17



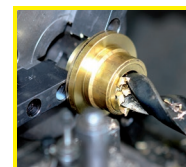
Centre Distance in Casing 17 mm + 0.05

Product No. Worm Gear	Product No. Worm	Trans- mission	Module	No. of Teeth	No. of Threads	Lead Angle	Worm Gear $d_A \pm 0.2$ mm	Worm d_a mm	Maximum Torque at 2800min ⁻¹ Nm	*** η	Weight Worm Gear g	Weight Worm g
320 002 00	320 102 00	*2,25 : 1	0,9	18	8	48° 15'	25,63	11,95	1,1	0,80	25	7
320 004 00	320 104 00	4,5 : 1	0,75	27	6	21° 50'	24,60	13,60	1,7	0,75	25	11
320 005 00	320 105 00	5 : 1	0,7	30	6	21° 37'	24,60	12,80	1,8	0,74	26	12
320 007 00	320 107 00	7 : 1	1,0	21	3	14° 4'	24,60	14,34	1,6	0,68	25	12
320 009 00	320 109 00	9 : 1	0,75	27	3	9° 40'	22,70	14,90	1,5	0,61	23	14
320 010 00	320 110 00	10 : 1	0,75	30	3	11° 48'	24,60	12,50	1,9	0,64	27	9
320 015 00	320 115 00	15 : 1	0,75	30	2	7° 38'	24,60	12,80	1,9	0,54	26	10
320 025 00	320 125 00	25 : 1	0,9	25	1	4° 32'	24,60	13,20	1,8	0,42	26	10
320 030 00	320 130 00	30 : 1	0,75	30	1	3° 45'	24,60	12,95	1,9	0,37	26	10
320 040 00	320 140 00	40 : 1	0,5	40	1	2° 3'	21,60	14,98	1,4	0,26	22	16
320 050 00	320 150 00	**50 : 1	0,5	50	1	3° 12'	27,20	9,95	1,0	0,33	32	5
320 060 00	320 160 00	60 : 1	0,4	60	1	2° 18'	26,00	10,75	1,6	0,26	30	8
320 075 00	320 175 00	75 : 1	0,3	75	1	1° 28'	24,00	12,34	1,3	0,19	26	10
320 080 00	320 180 00	80 : 1	0,3	80	1	1° 43'	26,00	10,60	1,4	0,21	30	10

* Worm only polished, worm gear with helical gearing.

** Worm with 9 mm hub diameter only.

*** The figures stated for the efficiency are only reference values, since - besides the lead angle - mounting, lubrication, speed and assembly also have an influence on the efficiency.



**Reworking within
24h-service possible.
Custom made parts
on request.**