

Precision Worm Gear Sets - Right Hand (Worm Gears and Hollow Worms)

Pressure angle 15°.

Material:

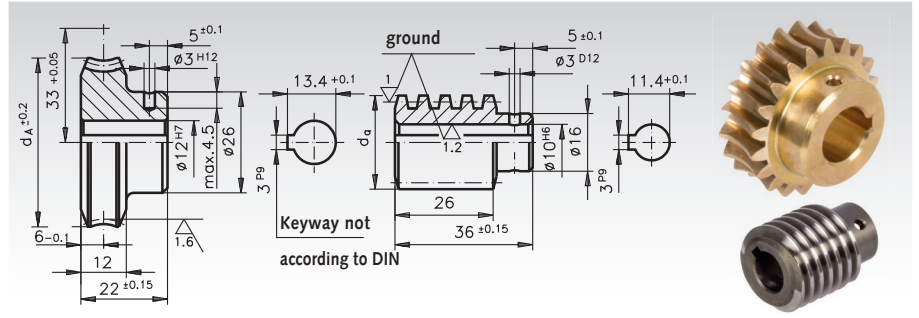
Worm gear: special brass CuZn40Al2/So.
Worm: 11SMnPb30, inspected for fissures,
case hardened HV620-700, ground.

Can be built into gear systems, no reworking
required, thus short assembly times.

Ordering Details: e.g.:

Product No. 321 303 00, Prec. Worm Gear A 33

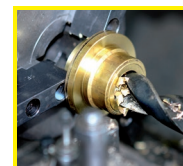
Product No. 321 403 00, Prec. Worm A 33



Centre Distance in Casing 33 mm + 0.05

Product No. Worm Gear	Product No. Worm	Trans- mission	Module	No. of Teeth	No. of Threads	Lead Angle	Worm Gear $d_A \pm 0.2$ mm	Worm d_a mm	Maximum Torque at 2800min ⁻¹ Nm	* η	Weight Worm Gear g	Weight Worm g
321 303 00	321 403 00	3,5 : 1	1,75	21	6	25° 57'	47,0	27,50	10,1	0,79	155	80
321 305 00	321 405 00	5 : 1	2,0	20	4	20° 50'	49,0	26,50	10,6	0,77	164	70
321 307 00	321 407 00	7 : 1	1,5	28	4	15° 32'	48,0	25,40	12,2	0,72	164	69
321 310 00	321 410 00	10 : 1	1,5	30	3	13° 10'	51,0	22,75	13,3	0,69	186	53
321 312 00	321 412 00	12 : 1	1,9	24	2	11° 14'	52,0	23,30	13,5	0,66	186	50
321 314 00	321 414 00	14 : 1	1,5	28	2	7° 20'	47,0	26,50	11,4	0,57	159	77
321 315 00	321 415 00	15 : 1	1,5	30	2	8° 25'	50,0	23,50	13,0	0,60	180	57
321 316 00	321 416 00	16 : 1	1,5	32	2	10° 1'	53,0	20,24	14,0	0,63	203	38
321 317 00	321 417 00	17 : 1	1,4	34	2	9° 3'	52,5	20,60	14,2	0,61	202	41
321 318 00	321 418 00	18 : 1	1,25	36	2	6° 57'	49,2	23,15	12,6	0,55	180	58
321 320 00	321 420 00	20 : 1	1,15	40	2	6° 43'	50,5	21,96	12,7	0,54	188	52
321 324 00	321 424 00	24 : 1	1,9	24	1	5° 27'	51,0	23,80	13,2	0,49	183	54
321 328 00	321 428 00	28 : 1	1,5	28	1	3° 36'	46,6	26,90	11,2	0,40	156	80
321 330 00	321 430 00	30 : 1	1,5	30	1	4° 8'	50,0	23,85	12,7	0,43	178	60
321 332 00	321 432 00	32 : 1	1,5	32	1	4° 50'	52,5	20,80	13,5	0,46	200	40
321 338 00	321 438 00	38 : 1	1,25	38	1	3° 55'	51,6	20,76	13,9	0,41	200	44
321 350 00	321 450 00	50 : 1	0,9	50	1	2° 27'	48,0	22,80	10,0	0,31	178	60
321 356 00	321 456 00	56 : 1	0,8	56	1	2° 10'	48,0	22,75	10,1	0,29	180	62
321 375 00	321 475 00	75 : 1	0,6	75	1	1° 41'	48,0	21,70	9,0	0,24	183	56

* The figures stated for the efficiency are only reference values, as besides the lead angle, mounting, lubrication, speed and assembly also have an influence on the efficiency.



**Reworking within
24h-service possible.
Custom made parts
on request.**