

Precision Worm Gear Sets, Right Hand (Worm Gears and Hollow Worms)

Pressure angle 15°.

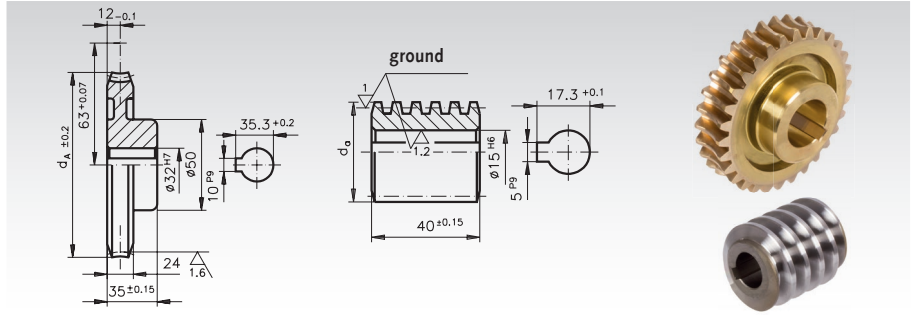
Material:

Worm Gear: special brass CuZn40Al2/So.
Worm: 11SMnPb30, inspected for fissures, case hardened HV620-700, ground.
Can be built into gear systems, no reworking required, thus short assembly times.

Ordering Details: e.g.:

Product No. 330 306 00, Prec. Worm Gear A 63.

Product No. 323 104 00, Prec. Worm A 63.



Centre distance in Housing 63 mm + 0,07

Product No. Worm Gear	Product No. Worm	Transmission	Module	No. of Teeth	No. of Threads	Lead Angle	Worm Gear $d_A \pm 0.2$ mm	Worm d_a mm	Maximum Torque at 2800min ⁻¹ Nm	* η	Weight Worm Gear g	Weight Worm g
330 306 00	323 104 00	6 : 1	3,5	24	4	25° 51'	104	39,10	89	0,80	1200	200
330 312 00	323 109 00	12 : 1	2,5	36	3	13° 52'	104	36,29	141	0,72	1100	180
330 319 00	330 419 00	19 : 1	2,5	38	2	10° 8'	104	33,40	133	0,65	1200	136
330 326 00	323 121 00	26 : 1	3,5	26	1	6° 17'	104	39,00	172	0,55	1065	190
330 334 00	330 434 00	34 : 1	2,75	34	1	5° 9'	104	36,10	148	0,50	1200	170
330 348 00	323 138 00	48 : 1	2,0	48	1	3° 51'	104	33,78	125	0,43	1200	150
330 363 00	323 150 00	63 : 1	1,5	63	1	2° 47'	101	33,85	111	0,36	1200	170
330 370 00	323 475 00	70 : 1	1,25	70	1	1° 59'	97	38,60	112	0,29	980	250

Precision Worm Gear Sets, Right Hand (Worm Gears and Hollow Worms)

Pressure angle 15°.

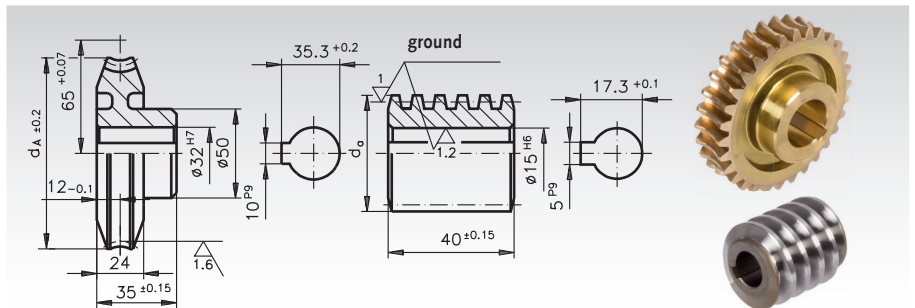
Material:

Worm Gear: special brass CuZn40Al2/So.
Worm: 11SMnPb30, inspected for fissures, case hardened HV620-700, ground.
Can be built into gear systems, no reworking required, thus short assembly times.

Ordering Details: e.g.:

Product No. 323 306 00, Prec. Worm Gear A 65.

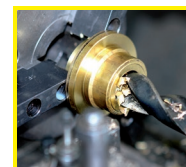
Product No. 323 104 00, Prec. Worm A 65.



Centre distance in Housing 65 mm + 0,07

Product No. Worm Gear	Product No. Worm	Transmission	Module	No. of Teeth	No. of Threads	Lead Angle	Worm Gear $d_A \pm 0.2$ mm	Worm d_a mm	Maximum Torque at 2800min ⁻¹ Nm	* η	Weight Worm Gear g	Weight Worm g
323 306 00	323 104 00	6,25 : 1	3,5	25	4	25° 51'	108,0	39,10	101	0,80	1200	200
323 312 00	323 109 00	12,66 : 1	2,5	38	3	13° 52'	108,0	36,29	156	0,72	1300	176
323 328 00	323 121 00	28 : 1	3,5	28	1	6° 17'	108,0	39,00	192	0,55	1200	190
323 350 00	323 138 00	50 : 1	2,0	50	1	3° 51'	108,0	33,78	137	0,43	1200	150
323 366 00	323 150 00	66 : 1	1,5	66	1	2° 47'	107,0	33,85	122	0,36	1200	170
323 375 00	323 475 00	75 : 1	1,25	75	1	1° 59'	100,0	38,60	125	0,29	1100	250

* The figures stated for the efficiency are only reference values, as besides the lead angle, mounting, lubrication, speed and assembly also have an influence on the efficiency.



**Reworking within
24h-service possible.
Custom made parts
on request.**