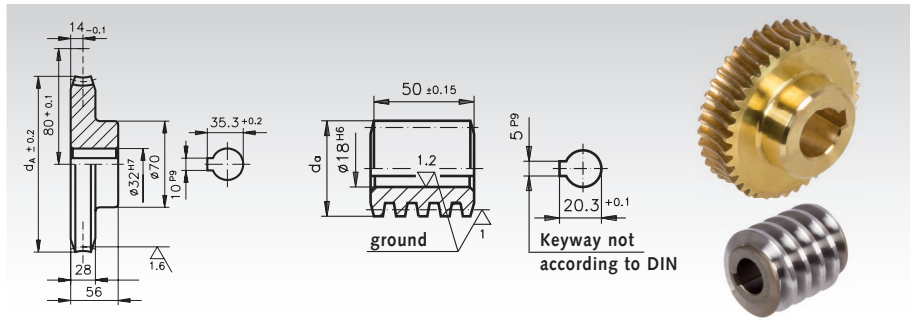


Precision Worm Gear Sets, Right Hand (Worm Gears and Hollow Worms)

Pressure angle 15°.

Material:

Worm Gear: special brass CuZn40Al2/So.
Worm: 11SMnPb30, inspected for fissures, case hardened HV620-700, ground.
Can be built into gear systems, no reworking required, thus short assembly times.



Ordering Details: e.g.:

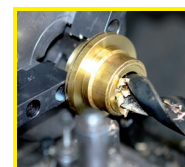
Product No. 330 607 00, Prec. Worm Gear A 80.

Product No. 330 707 00, Prec. Worm A 80.

Centre distance in Housing 80 mm + 0,1

Product No. Worm Gear	Product No. Worm	Trans- mission	Module	No. of Teeth	No. of Threads	Lead Angle	Worm Gear $d_A \pm 0,2$ mm	Worm d_a mm	Maximum Torque at 2800min ⁻¹ Nm	* η	Weight Worm Gear g	Weight Worm g
330 607 00	330 707 00	6,75 : 1	4,0	27	4	23° 35'	132	48,0	150	0,79	2900	280
330 612 00	330 712 00	12 : 1	2,5	48	4	16° 36'	132,5	40,0	243	0,75	3200	270
330 620 00	330 720 00	20 : 1	3,0	40	2	8° 58'	130,5	44,5	296	0,63	3033	340
330 630 00	330 730 00	30 : 1	4,0	30	1	5° 44'	132,5	48,0	348	0,53	2900	380
330 650 00	330 750 00	50 : 1	2,5	50	1	4° 6'	132,5	40,0	248	0,45	3200	266
330 680 00	330 780 00	80 : 1	1,5	80	1	2° 9'	124,5	43,0	213	0,30	2900	380

* The figures stated for the efficiency are only reference values, as besides the lead angle, mounting, lubrication, speed and assembly also have an influence on the efficiency.



Reworking within
24h-service possible.
Custom made parts
on request.