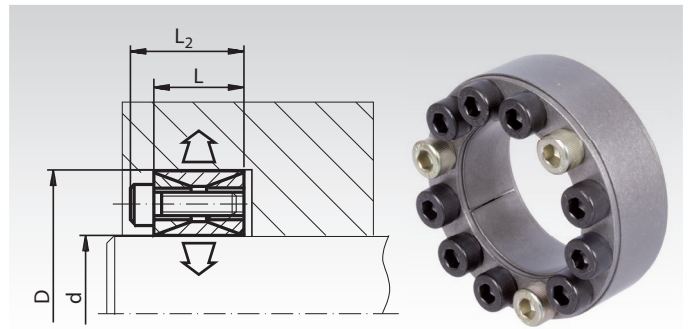


Locking Assemblies COM-A

Material: Steel.

- For fixing a hub (e.g. V-belt pulley or similar) on a shaft.
- For medium high torques.
- Not self-centering.
- Self-releasing at dismounting.
- No axial movement during mounting.



Ordering Details: e.g.: Product No. 615 519 00, Locking Assembly COM-A, 19 mm

Product No.	d mm	D mm	L mm	L ₂ mm	T Nm	F _{ax} kN	P _w N/mm ²	P _N N/mm ²	Screws 12.9 Number x Size	T _A Nm	Weight kg
615 519 00	19	47	20	26	270	28	221	93	8 x M6	15	0,20
615 520 00	20	47	20	26	290	28	232	98	8 x M6	15	0,22
615 522 00	22	47	20	26	290	30	200	90	8 x M6	15	0,23
615 524 00	24	50	20	26	380	32	216	103	8 x M6	15	0,23
615 525 00	25	50	20	26	400	33	200	100	8 x M6	15	0,23
615 528 00	28	55	20	26	520	36	208	104	10 x M6	15	0,27
615 530 00	30	55	20	26	520	37	183	99	10 x M6	15	0,26
615 532 00	32	60	20	26	690	43	209	112	12 x M6	15	0,30
615 535 00	35	60	20	26	770	44	196	113	12 x M6	15	0,30
615 538 00	38	65	20	26	940	49	202	116	14 x M6	15	0,35
615 540 00	40	65	20	26	980	49	190	115	14 x M6	15	0,32
615 542 00	42	75	24	32	1560	74	233	129	12 x M8	37	0,57
615 545 00	45	75	24	32	1700	74	216	127	12 x M8	37	0,55
615 548 00	48	80	24	32	1830	74	214	122	12 x M8	37	0,60
615 550 00	50	80	24	32	1830	75	196	118	12 x M8	37	0,56
615 555 00	55	85	24	32	2490	89	218	140	14 x M8	37	0,65
615 560 00	60	90	24	32	2640	92	192	126	14 x M8	37	0,66
615 565 00	65	95	24	32	3240	99	202	136	16 x M8	37	0,72
615 570 00	70	110	28	38	4700	124	218	135	14 x M10	70	1,27
615 575 00	75	115	28	38	4800	135	185	119	14 x M10	70	1,33
615 580 00	80	120	28	38	5400	137	185	124	14 x M10	70	1,35
615 585 00	85	125	28	38	6300	146	195	130	16 x M10	70	1,45
615 590 00	90	130	28	38	6500	148	178	124	16 x M10	70	1,55
615 595 00	95	135	28	38	7800	165	193	134	18 x M10	70	1,65
615 600 00	100	145	33	45	9560	187	195	135	14 x M12	127	2,20

More sizes up to d=1,000mm for 1,980,000Nm are available.

Price and delivery time on request.

T = transmittable torque at F_{ax} = 0.

F_{ax} = transmittable axial force at T = 0.

P_w = surface pressure onto the shaft.

P_N = surface pressure onto the hub.

T_A = fastening torque of the screws.

Fit

Shaft h8, Hub H8.
Surface roughness max. 12.5µm.

Mounting

Slightly oil the locking assembly before mounting, do not use molybdenum disulphide or grease. Tighten the screws evenly and crosswise in several steps.

Demounting

Due to the cone angle, the locking assembly is usually released once all screws have been fully unfastened. There are three large auxiliary threads cut into the front ring, which serve to remove this ring.