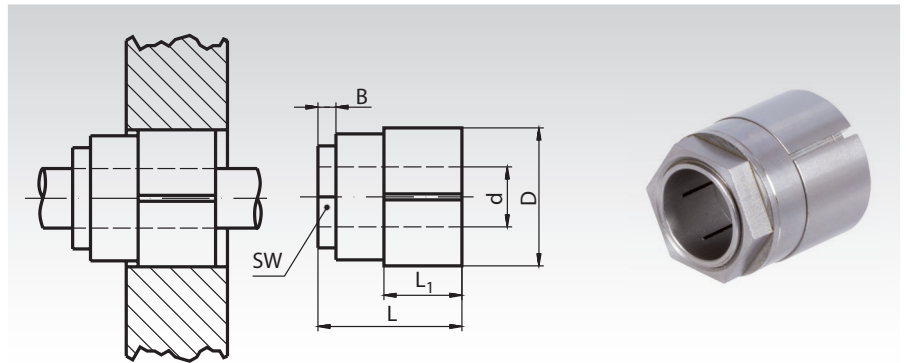


## Locking Assemblies TT 5-16 mm

**Material:** Steel.

- For fixing a hub (e.g. drive wheel, rotor or similar) on a shaft.
- For high torques.
- Self-centering.
- Axial offset during mounting (can be compensated by correct positioning).



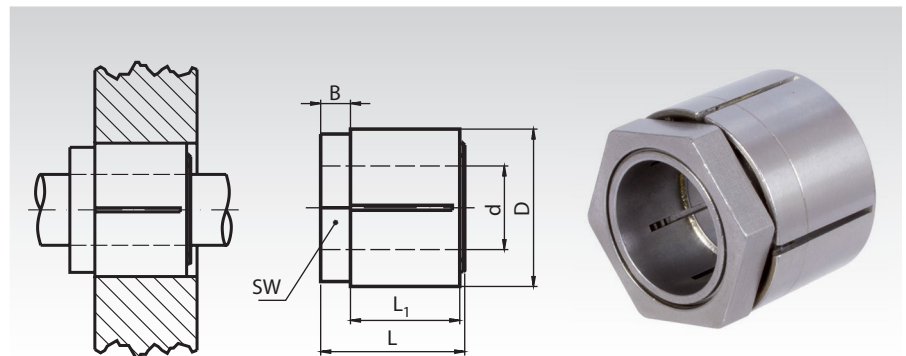
Ordering Details: e.g.: Product No. 615 501 05,  
Locking Assembly TT, 5 mm

Product No.	d mm	D mm	L mm	L <sub>1</sub> mm	B mm	Torque T max. Nm	Axial force max. kN	Surface pressure on the hub N/mm <sup>2</sup>	Diameter across flats SW mm	Tightening Torque T <sub>A</sub> Nm	Weight g
615 501 05	5	16	19	10	3	11	4	73	13	10	19
615 501 06	6	16	19	10	3	13	4	73	13	10	18
615 501 07	7	20	22	11	3	35	10	119	16	28	34
615 501 08	8	20	22	11	3	40	10	119	16	28	33
615 501 09	9	20	22	11	3	45	10	119	16	28	32
615 501 10	10	23	26	13	5	65	13	116	19	44	49
615 501 11	11	23	26	13	5	72	13	116	19	44	47
615 501 12	12	23	26	13	5	79	13	116	19	44	45
615 501 14	14	26	29	16	5	118	17	107	22	66	65
615 501 15	15	26	29	16	5	126	17	107	22	66	62
615 501 16	16	26	29	16	5	135	17	107	22	66	59

## Locking Assemblies TT 17-35 mm

**Material:** Steel.

- For fixing a hub (e.g. drive wheel, rotor or similar) on a shaft.
- For high torques.
- Self-centering.
- Axial offset during mounting (can be compensated by correct positioning).



Ordering Details: e.g.: Product No. 615 501 17,  
Locking Assembly TT, 17 mm

Product No.	d mm	D mm	L mm	L <sub>1</sub> mm	B mm	Torque T max. Nm	Axial force max. kN	Surface pressure on the hub N/mm <sup>2</sup>	Diameter across flats SW mm	Tightening Torque T <sub>A</sub> Nm	Weight g
615 501 17	17	32	30	22	6	208	25	92	30	110	119
615 501 18	18	32	30	22	6	221	25	92	30	110	114
615 501 19	19	32	30	22	6	233	25	92	30	110	109
615 501 20	20	35	33	24	7	298	30	94	32	150	144
615 501 22	22	35	33	24	7	328	30	94	32	150	132
615 501 24	24	38	35	25	8	398	33	93	36	185	166
615 501 25	25	38	35	25	8	415	33	93	36	185	159
615 501 28	28	45	41	29	11	505	36	73	46	300	293
615 501 30	30	45	41	29	11	541	36	73	46	300	272
615 501 32	32	50	44	30	12	590	37	65	50	265	377
615 501 35	35	50	44	30	12	645	37	65	50	265	340

### Fit, Surfaces

Size 5 to 16: Shaft and hub  $\pm 0.04$ mm.  
Size 17 to 35: Shaft and hub  $\pm 0.08$ mm.

### Mounting

It is essential to degrease the shaft and hub.  
Install the locking assembly as delivered, never lubricate it.  
Tighten the nut with a torque wrench to the torque value  
as per the table.