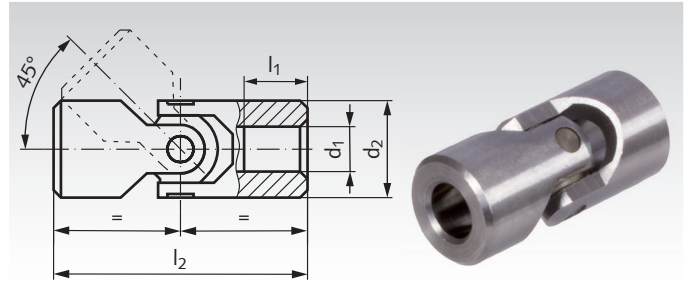


Single Universal Joints WEL Similar to DIN 808

Material: Steel.

Max. Operating Angle 45°.

These low-price, single universal joints are especially suited for manual operation at low torques. As the contact surfaces are not hardened/ground, they can only be used at high speeds for short intervals.



Ordering Details: e.g.: Product No. 630 613 00, Universal Joint WEL, 6 mm Bore

Product No.	d ₁ ^{H7} mm	d ₂ mm	l ₁ mm	l ₂ mm	permissible max. Torques in Nm* at different Speeds							Weight kg
					100 min ⁻¹	200 min ⁻¹	300 min ⁻¹	400 min ⁻¹	500 min ⁻¹	700 min ⁻¹	800 min ⁻¹	
630 613 00	6	13	13	40	6,6	6	5,3	4,8	4,4	-	-	0,03
630 616 00	8	16	10	40	13	9	8	7	6	5,2	4,7	0,04
630 620 00	10	20	10	45	25	17	15	12	11	10	7	0,08
630 625 00	12	25	11	50	45	25	21	16	14	11	9	0,14
630 629 00	14	29	13	56	70	45	40	33	30	26	22	0,20
630 632 00	16	32	15	65	88	85	72	55	50	43	34	0,29
630 637 00	18	37	17	72	160	120	100	68	58	54	-	0,44
630 640 00	20	40	19	82	240	170	120	90	80	72	-	0,57
630 647 00	22	47	22	95	300	200	150	110	93	-	-	0,93
630 650 00	25	50	27	108	390	250	180	140	115	-	-	1,19
630 658 00	30	58	30	122	430	330	200	150	128	-	-	1,72

* Only for short intervals.

Belows

page 397

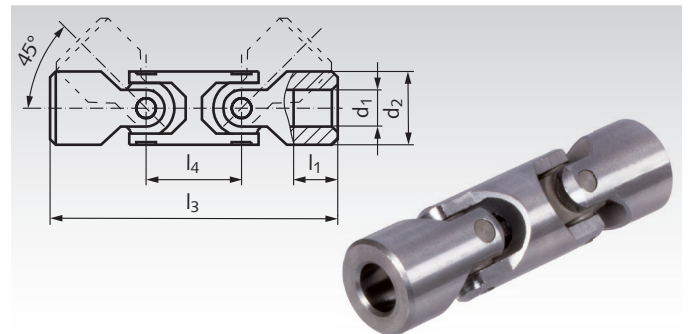


Double Universal Joints WDL Similar to DIN 808

Material: Steel.

Max. Operating Angle 90°.

These low-price, single universal joints are especially suited for manual operation at low torques. As the contact surfaces are not hardened/ground, they can only be used at high speeds for short intervals.



Ordering Details: e.g.: Product No. 630 713 00, Universal Joint WDL, 6 mm Bore

Product No.	d ₁ ^{H7} mm	d ₂ mm	l ₁ mm	l ₃ mm	l ₄ mm	permissible max. Torques in Nm* at different Speeds							Weight kg
						100 min ⁻¹	200 min ⁻¹	300 min ⁻¹	400 min ⁻¹	500 min ⁻¹	700 min ⁻¹	800 min ⁻¹	
630 713 00	6	13	13	63	23	5,9	5,4	4,8	4,3	3,9	-	-	0,07
630 716 00	8	16	10	67	27	11	8,1	7,2	6,3	5,4	4,7	4,2	0,07
630 720 00	10	20	10	74	29	22	15	13	11	9,9	9	6,3	0,08
630 722 00	12	22	11	74	29	40	22	19	14	12	10	8,1	0,13
630 725 00	14	25	13	85	33	63	40	36	29	27	23	20	0,19
630 729 00	16	29	19	100	35	79	76	64	49	45	38	30	0,31
630 732 00	18	32	20	112	39	144	108	90	61	52	48	-	0,44
630 740 00	20	40	19	128	46	216	153	108	81	72	64	-	0,82
630 741 00	22	40	25	145	46	270	180	135	99	83	-	-	0,94
630 750 00	25	50	24	163	59	350	225	160	126	103	-	-	1,56
630 758 00	30	58	30	182	66	380	295	180	135	115	-	-	2,43

* Only for short intervals.



**Reworking within
24h-service possible.
Custom made parts
on request.**