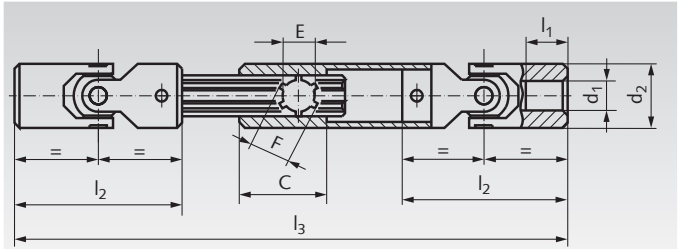


## Slip shafts with joints PWR

**Material:** Stainless steel 1.4301.

Max. operating angle per joint 45°.

Other lengths on request.



Ordering Details: e.g.: Product No. 631 998 20, Slip shaft with joints PWR, bore 10 mm

Product No.	d <sub>1</sub> <sup>H7</sup> mm	d <sub>2</sub> mm	l <sub>1</sub> mm	l <sub>2</sub> mm	l <sub>3</sub> min. mm	l <sub>3</sub> max. mm	C mm	E mm	F mm	permissible max. Torques in Nm at different Speeds							Weight kg
										100 min <sup>-1</sup>	200 min <sup>-1</sup>	300 min <sup>-1</sup>	400 min <sup>-1</sup>	500 min <sup>-1</sup>	700 min <sup>-1</sup>	800 min <sup>-1</sup>	
631 998 20	10	22	25	76	215	245	30	11	14	12,5	8,5	7	6,5	6	5,5	3,5	0,99
631 998 26	12	25	29	86	240	270	35	13	16	21,5	12,5	10	8,5	7,5	6	0,76	
631 998 29	14	29	30	90	250	280	35	13	16	34	21,5	19,5	18	16,5	14	0,92	
631 998 32	16	32	30	95	280	330	35	16	20	43	42	36	29	25,5	18	1,35	
631 998 37	18	37	35	108	305	355	35	16	20	78	60	48	36	30	24	1,79	
631 998 40	20	40	32	108	315	365	48	23	28	120	84	60	48	42	30	2,41	
631 998 47	22	47	38	127	355	405	48	23	28	150	96	72	60	48	36	3,75	
631 998 50	25	50	44	140	380	430	48	23	28	192	120	84	72	60	48	4,33	

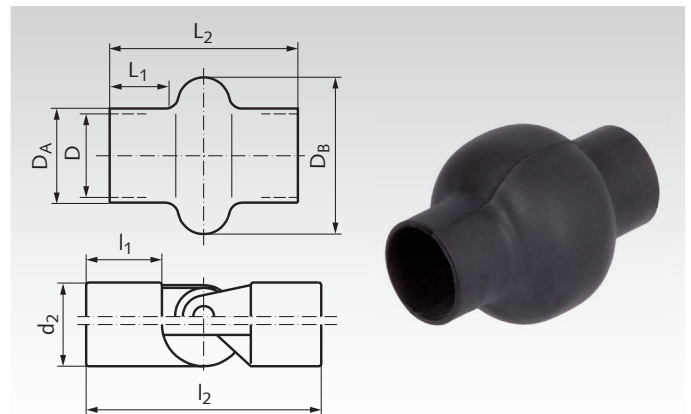
## Bellows FSG (black) for Single-Universal Joints

**Material:** NBR, black. Hardness about 45 Shore A.  
Mineral-oil resistant.

Single-fold bellows are used to protect ball and universal joints.

The shaft lengths l<sub>1</sub> and l<sub>2</sub> are estimated dimensions.

To securely fix the bellows on the joints, the connections should be fixed with hose fittings.



Ordering Details: e.g.: Product No. 630 516 00, Bellows FSG, inside diameter 16 mm

Product No.	Nominal Size	Bellow Dimensions ≈					Weight g	Joint Dimensions ≈			Recommended Hose Clamps <sup>1)</sup>		
		D mm	D <sub>A</sub> mm	D <sub>B</sub> mm	L <sub>1</sub> mm	L <sub>2</sub> mm		d <sub>2</sub> mm	l <sub>1</sub> mm	l <sub>2</sub> mm	Product No. zinc-plated	Product No. stainless	Weight g
630 516 00	16 x 32	16	19,0	35	9	32	4	16	9	34	-	-	-
630 518 00	18 x 38	18	20,5	37	14	41	6	18	11	40	638 110 27	638 140 27	14
630 520 00	20 x 56	20	22,5	39	14	57	8	20	14	50	638 110 27	638 140 27	14
630 522 00	22 x 40	22	24,5	43	12	40	6	22	13	48	638 110 32	638 140 32	15
630 525 00	25 x 66	25	27,5	44	15	66	12	25	22	74	638 110 32	638 140 32	15
630 526 00	26 x 45	26	28,5	50	12,5	45	8	26	15	56	638 110 32	638 140 32	15
630 528 00	28 x 58	28	30,5	50	17	58	10	28	20	70	638 110 35	638 140 35	15
630 529 00	29 x 50	29	31,5	52	17	53	10	29	17	60	638 110 35	638 140 35	15
630 532 00	32 x 60	32	35,0	57	20,5	60	14	32	19	68	638 110 40	638 140 40	16
630 533 00	32 x 75	32	34,5	56	27	75	14	32	23	80	638 110 40	638 140 40	16
630 536 00	36 x 82	36	38,5	63	30	84	20	36	26	90	638 110 50	638 140 50	17
630 540 00	42 x 75	42	45	70	25	75	26	40	29	100	638 110 50	638 140 50	17
630 545 00	47 x 90	47	50	75	31	90	28	45	31	110	638 110 60	638 140 60	19
630 550 00	52 x 95	52	55	87	35	95	38	50	36	125	638 110 60	638 140 60	19
630 555 00	58 x 95	58	61	97	34	95	48	55	45	120	638 110 70	638 140 70	20
630 570 00	70 x 96	70	73	121	33	96	68	70	56	140	638 110 80	638 140 80	22

<sup>1)</sup> See page K43 N1.