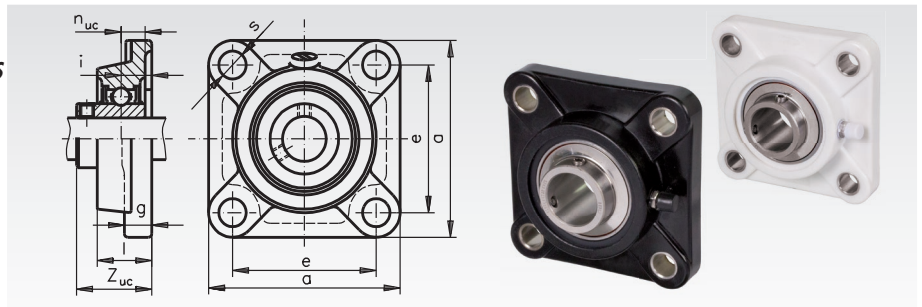


## Ball Flange Bearings TUCF, Thermoplastic Housing with Stainless Steel Bearing

**Material:** Housing: Thermoplast PBT, on choice black or white.  
 Rolling bearing: Stainless steel 1.4125 (X105CrMo17, AISI 440 C), lubricated with grease FM 222 for food processing machinery, with registration FDA, CIFA, KPF2K-20, NSF H1. The rolling bearing can be swiveled when mounting to compensate shaft misalignment. The shaft will get fastened with 2 setscrews. Lubricated for life at normal operating conditions. Re-lubricating is possible. Delivery with stainless steel grease nipple. Temperature range: -20°C to +90°C (for short time up to +120°C).



Ordering Details: e.g.: Product No. 626 550 17, Ball Flange Bearing TUCF 203, black, Bore 17mm

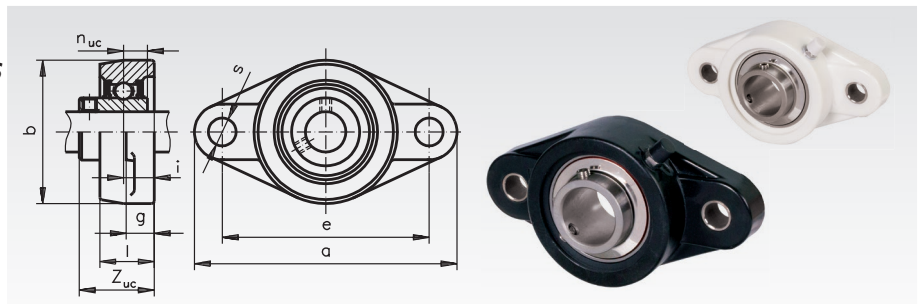
Product No. Black	Product No. White	TUCF No.	Bore mm	a mm	e mm	i mm	g mm	l mm	s mm	Z <sub>uc</sub> mm	n <sub>uc</sub> mm	Housing Load Rating radial* kN	axial** kN	Weight kg
626 550 12	626 560 12	201	12	86	63,5	18	13,4	27,8	11	36,3	12,7	16	3,7	0,30
626 550 15	626 560 15	202	15	86	63,5	18	13,4	27,8	11	36,3	12,7	16	3,7	0,30
626 550 17	626 560 17	203	17	86	63,5	18	13,4	27,8	11	36,3	12,7	16	3,7	0,30
626 550 20	626 560 20	204	20	86	63,5	18	13,4	27,8	11	36,3	12,7	16	3,7	0,28
626 550 25	626 560 25	205	25	95	70	17	14,0	28,0	11	36,7	14,3	13	3,4	0,35
626 550 30	626 560 30	206	30	107	83	19,2	14,3	31,5	11	41,4	15,9	18	3,4	0,50
626 550 35	626 560 35	207	35	118	92	21,5	15,5	34,8	13	46,9	17,5	18,5	3,5	0,74
626 550 40	626 560 40	208	40	130	102	23	17,0	37,5	14	53,2	19	19,1	3,8	0,98
626 550 45	626 560 45	209	45	137	105	24	19,0	41,0	17	54,2	19	19,4	3,9	1,12
626 550 50	626 560 50	210	50	143	111	25	21,0	43,0	17	57,6	19	19,7	4,0	1,30

\* Maximum radial load if axial force = 0.

\*\* Maximum axial load if radial force = 0.

## Ball Flange Bearings TUCFL, Thermoplastic Housing with Stainless Steel Bearing

**Material:** Housing: Thermoplast PBT, on choice black or white.  
 Rolling bearing: Stainless steel 1.4125 (X105CrMo17, AISI 440 C), lubricated with grease FM 222 for food processing machinery, with registration FDA, CIFA, KPF2K-20, NSF H1. The rolling bearing can be swiveled when mounting to compensate shaft misalignment. The shaft will get fastened with 2 setscrews. Lubricated for life at normal operating conditions. Re-lubricating is possible. Delivery with stainless steel grease nipple. Temperature range: -20°C to +90°C (for short time up to +120°C).



Ordering Details: e.g.: Product No. 626 551 17, Ball Flange Bearing TUCFL 203, black, Bore 17mm

Product No. Black	Product No. White	TUCFL No.	Bore mm	a mm	b mm	e mm	i mm	g mm	l mm	s mm	Z <sub>uc</sub> mm	n <sub>uc</sub> mm	Housing Load Rating* vertical kN	horizontal kN	Weight kg
626 551 12	626 561 12	201	12	113	65	90	15,4	11,4	26,5	11	33,7	12,7	8,5	11,8	0,26
626 551 15	626 561 15	202	15	113	65	90	15,4	11,4	26,5	11	33,7	12,7	8,5	11,8	0,26
626 551 17	626 561 17	203	17	113	65	90	15,4	11,4	26,5	11	33,7	12,7	8,5	11,8	0,26
626 551 20	626 561 20	204	20	113	65	90	15,4	11,4	26,5	11	33,7	12,7	8,5	11,8	0,24
626 551 25	626 561 25	205	25	131	69,5	99	17	13,5	29,1	11	36,7	14,3	11,1	11,4	0,30
626 551 30	626 561 30	206	30	148	80	117	19	13,3	30,5	11	41,2	15,9	14,2	16,5	0,45
626 551 35	626 561 35	207	35	164	90	130	18	16,1	32,8	13	43,4	17,5	14,9	16,9	0,64
626 551 40	626 561 40	208	40	176	100	144	21,5	20	37,5	14	51,7	19	15,2	17,4	0,89
626 551 45	626 561 45	209	45	188	108	148	24	21	41	17	54,2	19	15,4	17,6	1,02
626 551 50	626 561 50	210	50	197	115	157	25	21	43	17	57,6	19	15,7	18,0	1,21

\* Not recommended for axial force.