

Ball Pillow Block Bearings SSUCP, Stainless Steel

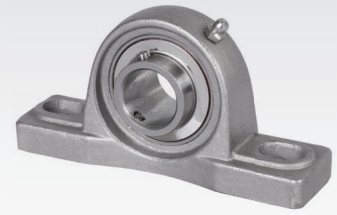
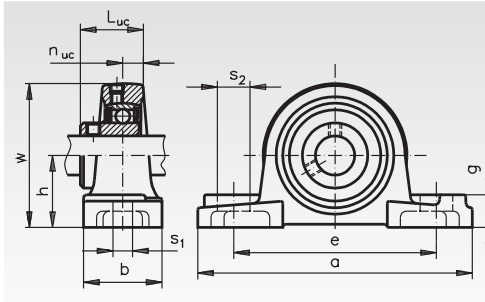
Material: Housing: Stainless steel 1.4305 (X5CrNi18-10, AISI 304).

Rolling bearing: Stainless steel 1.4125 (X105CrMo17, AISI 440 C), lubricated with grease FM 222 for food processing machinery, with registration FDA, CIFA, KPF2K-20, NSF H1.

The rolling bearing can be swiveled when mounting to compensate shaft misalignment. The shaft will get fastened with 2 setscrews. Lubricated for life at normal operating conditions. Re-lubricating is possible.

Delivery with stainless steel grease nipple.

STAINLESS



Ordering Details: e.g.: Product No. 625 991 12, Ball Pillow Block Bearing SSUCP 201, Bore 12mm

Product No.	SSUCP No.	Bore mm	h mm	a mm	e mm	b mm	s ₁ mm	s ₂ mm	g mm	w mm	L _{uc} mm	n _{uc} mm	Bearing-Load Rating*		Weight kg
													dyn. C kN	stat. C ₀ kN	
625 991 12	201	12	33,3	127	96	36	13	19	13	60	31	12,7	12,8	6,7	0,84
625 991 15	202	15	33,3	127	96	36	13	19	13	60	31	12,7	12,8	6,7	0,82
625 991 17	203	17	33,3	127	96	36	13	19	13	60	31	12,7	12,8	6,7	0,81
625 991 20	204	20	33,3	127	95	38	13	19	14	65	31	12,7	12,8	6,7	0,81
625 991 25	205	25	36,5	140	105	38	13	19	15	71	34,1	14,3	14,0	7,9	0,99
625 991 30	206	30	42,9	165	121	47	17	21	17	83	38,1	15,9	19,5	11,3	1,62
625 991 35	207	35	47,6	167	127	48	17	21	18	93	42,9	17,5	25,7	15,3	2,08
625 991 40	208	40	49,2	184	137	54	17	21	18	100	49,2	19	29,5	18,2	2,65
625 991 45	209	45	54,0	190	146	54	17	21	20	106	49,2	19	31,7	20,7	2,90
625 991 50	210	50	57,2	206	159	60	20	25	22	114	51,6	19	35,1	23,2	2,59

* Maximum radial load if axial force = 0.
The axial load rating is approx. 20% of the radial load rating.

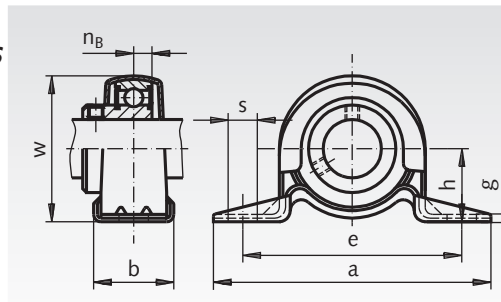
Ball Pillow Block Bearings SSBPP, Two-Part Sheet, Stainless Steel

Material: Housing from two-part sheets: Stainless steel 1.4305 (X5CrNi18-10, AISI 304).

Rolling bearing: Stainless steel 1.4125 (X105CrMo17, AISI 440 C), lubricated with grease FM 222 for food processing machinery, with registration FDA, CIFA, KPF2K-20, NSF H1.

The rolling bearing can be swiveled when mounting to compensate shaft misalignment. The shaft will get fastened with 2 setscrews. Lubricated for life at normal operating conditions. Re-lubricating is not possible.

STAINLESS



Ordering Details: e.g.: Product No. 625 992 12, Ball Pillow Block Bearing SSBPP 201

Product No.	SSBPP No.	Bore mm	h mm	a mm	e mm	b mm	s mm	g mm	w mm	n _B mm	Permissible Housing Load kN	Bearing-Load Rating*		Weight kg
												dyn. C kN	stat. C ₀ kN	
625 992 12	201	12	22,2	86	68	25	9,5	3,5	43,8	6	2,16	9,6	4,8	0,19
625 992 15	202	15	22,2	86	68	25	9,5	3,5	43,8	6	2,16	9,6	4,8	0,19
625 992 17	203	17	22,2	86	68	25	9,5	3,5	43,8	6	2,16	9,6	4,8	0,19
625 992 20	204	20	25,4	98	76	32	9,5	3,5	50,5	7	2,62	12,9	6,7	0,23
625 992 25	205	25	28,6	108	86	32	11,5	4	56,6	7,5	3,72	14,0	7,9	0,32
625 992 30	206	30	33,3	117	95	38	11,5	4	66,3	8	4,41	19,5	11,3	0,50
625 992 35	207	35	39,7	130	106	42	11	5	78	8,5	4,90	25,7	15,3	0,60

* Maximum radial load if axial force = 0. Regard the housing load. The axial load rating is approx. 20% of the radial load rating.