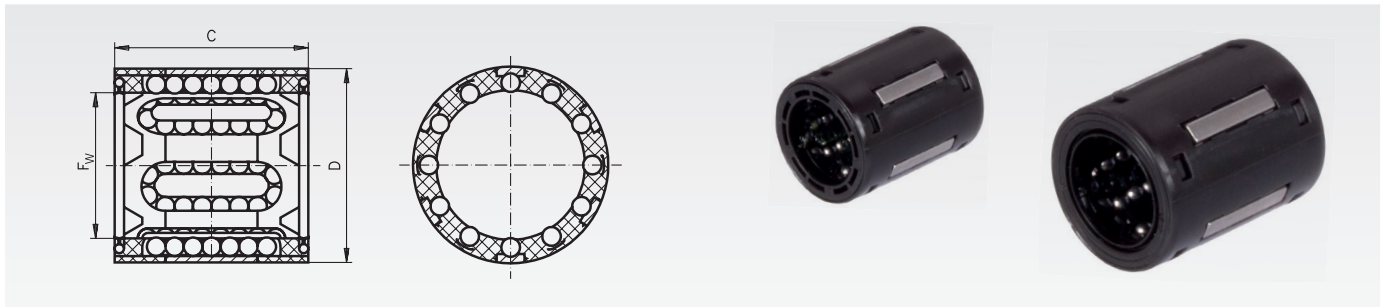


Linear Bearings KB-1 ISO Series 1, Stainless



Stainless linear bearings Series 1 of ISO standard 10285 from premium brand in top quality.

Especially compact dimensions enable a space-saving and cost efficient linear support. Easy to mount and provide automatic retention in the mounting bore. I.e., if the boring in the housing

is exact, the bearing does not to be secured axially. Either with integral double-lip seal or with shields. Bearings up to FW 5mm must be lubricated before use.

All other bearings are lubricated ready-to-install.

Recommended shaft tolerance h6, housing tolerance H6 or JS6.

Ordering Details: e.g.: Product No. 646 998 03, Linear Bearing KB-1, Internal Ø 3 mm, with Shields, stainless

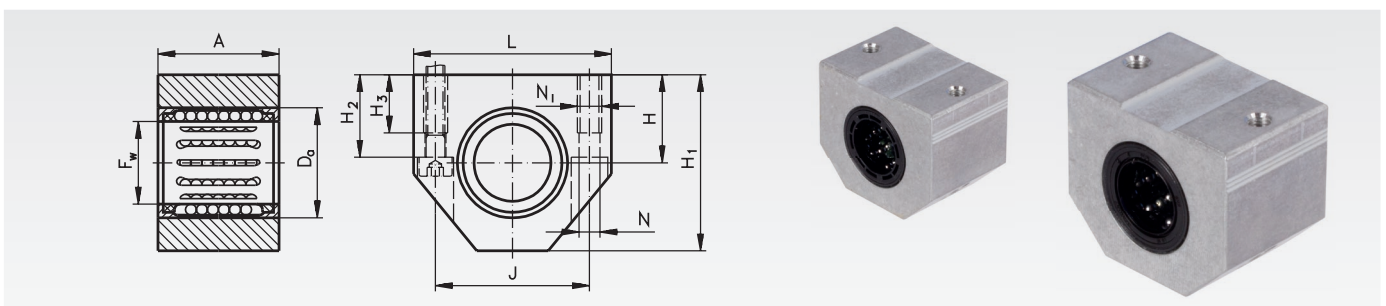
Product No. with Shields	Product No. with Seals	F _w mm	D mm	C mm	Number of Rows of Balls	Load Rating*		Weight g
						dyn. C N	stat. C ₀ N	
646 998 03	646 999 03	3	7	10	4	49	40	0,7
646 998 04	646 999 04	4	8	12	4	62	55	1
646 998 05	646 999 05	5	10	15	4	139	119	2
646 998 06	646 999 06	6	12	22	4	275	248	6
646 998 08	646 999 08	8	15	24	4	402	327	7
646 998 10	646 999 10	10	17	26	5	480	382	11
646 998 12	646 999 12	12	19	28	5	570	469	12
646 998 14	646 999 14	14	21	28	5	582	488	14
646 998 16	646 999 16	16	24	30	5	763	580	18
646 998 20	646 999 20	20	28	30	6	951	736	21
646 998 25	646 999 25	25	35	40	7	1738	1435	47
646 998 30	646 999 30	30	40	50	8	2583	2484	70
646 998 40	646 999 40	40	52	60	8	4510	4140	130
646 998 50	646 999 50	50	62	70	9	5699	5796	180

* On stainless shafts X90.



Shaft steel page 466.
Shaft blocks page 468.

Linear Bearings Units KG-1 ISO Series 1, with a Linear Bearing, Stainless



Material: Housing made from extruded aluminium with a stainless linear bearing of the ISO Series 1 from premium brand in top quality.

With integral double-lip seal or with shields.

All bearings are lubricated ready-to-install.

Recommended shaft tolerance h6.

Ordering Details: e.g.: Product No. 646 995 06, Linear Bearings Unit KG-1, Internal Ø 6 mm, with Shields, stainless



Product No. with Shields	Product No. with Seals	F _w mm	A mm	D _a mm	H±0.01 mm	H ₁ mm	H ₂ mm	H ₃ mm	L mm	J mm	N mm	N ₁ * mm	Load Rating*		Weight g	Spare Linear Bearings with	
													dyn.C N	stat.C ₀ N		Shields	Seal
646 995 06	646 996 06	6	22**	12	13**	27**	13	9	32	23**	3,4	M4	275	248	50	646 998 06	646 999 06
646 995 08	646 996 08	8	24	15	14**	27	13	9	32	23**	3,4	M4	402	327	50	646 998 08	646 999 08
646 995 10	646 996 10	10	26	17	16	33**	16	11	40**	29**	4,3	M5	480	382	80	646 998 10	646 999 10
646 995 12	646 996 12	12	28	19	17	33	16	11	40	29	4,3	M5	570	469	90	646 998 12	646 999 12
646 995 14	646 996 14	14	28	21	18	36,5	18	11	43	34	4,3	M5	582	488	100	646 998 14	646 999 14
646 995 16	646 996 16	16	30	24	19	38	18	11	45	34	4,3	M5	763	580	100	646 998 16	646 999 16
646 995 20	646 996 20	20	30	28	23	45	22	13	53	40	5,3	M6	951	736	140	646 998 20	646 999 20
646 995 25	646 996 25	25	40	35	27	54	26	18	62	48	6,6	M8	1738	1435	250	646 998 25	646 999 25
646 995 30	646 996 30	30	50	40	30	60	29	18	67	53	6,6	M8	2583	2484	370	646 998 30	646 999 30
646 995 40	646 996 40	40	60	52	39	76	38	22	87	69	8,4	M10	4510	4140	740	646 998 40	646 999 40
646 995 50	646 996 50	50	70	62	47	92	46	26	103	82	10,5	M12	5699	5796	1190	646 998 50	646 999 50

* When mounting from the bottom side choose the next smaller screw size.

** Dimension not in accordance with DIN ISO 13012-1.

Shaft steel page 466. Shaft blocks page 468.

