

Slides DZ 3832 SC, Width 12.7 mm, to 50 kg, Full Extension, Self Close

Material:

Slide elements: Cold-rolled steel, bright zinc-plated.
Ball retainers: Plastic / zinc-plated steel. Balls: Hardened steel.
Telescopic ball bearing slides for applications in the industrial and electronics sector.

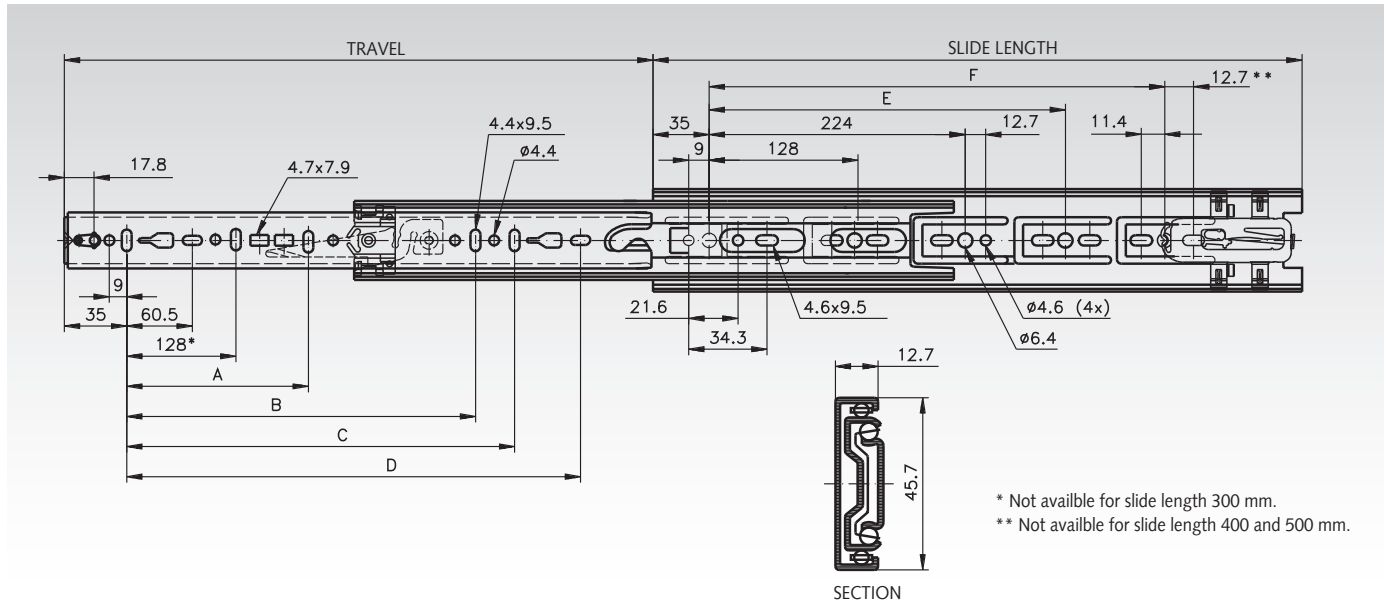
- Fast disconnection.
- Hold-in in closed position.
- Cam drawer adjust (3.1 mm).
- Optional clip-on brackets for bottom or platform mounting (page 542).
- Service life 10,000 / 80,000 cycles.
- Temperature range: -20°C to +70°C.

Closing/opening force 14 - 27 N per slide.

Ordering details: e.g.: Prod. No. 649 014 30, Slides DZ 3832 SC



Accuride



* Not available for slide length 300 mm.

** Not available for slide length 400 and 500 mm.

Product No. per Pair	Slide length mm	Travel +/-3.2 mm	A mm	B mm	C mm	D mm	E mm	F mm	Load Rating ¹⁾ per Pair kg	Weight per Pair kg
649 014 30	300	286	-	-	-	231	-	-	48 / 42	0,90
649 014 35	350	356	-	-	-	281	-	-	49 / 43	1,04
649 014 40	400	406	-	-	-	331	288	-	50 / 44	1,20
649 014 45	450	457	-	320	-	381	320	-	50 / 45	1,33
649 014 50	500	508	-	-	-	431	384	-	50 / 45	1,50
649 014 55	550	559	-	416	-	481	416	-	50 / 45	1,67
649 014 60	600	610	224	416	-	531	352	480	50 / 45	1,82
649 014 65	650	660	224	416	544	581	352	512	49 / 44	1,96

¹⁾ At 10,000 / 80,000 cycles.

Note

Recommended mounts: M4 screw. Use all mounting positions to achieve the max. load rating. Horizontal mounting not recommended. Clip-on brackets see page 542.