

## Clip-On Brackets and Bracket Accessory Kits for Slides

### Pairs of Clip-On Brackets DZ 633 for Slides 2109, 2132, 3732 and 3832

**Material:**

Steel, bright zinc-plated.

**Can be used for:**

Type DZ 2109 (page 501).

Type DZ 2132 (page 505).

Type DZ 3732 (page 513).

Type DZ 3832 (page 515).

Type DZ 3832 DO (page 519).

Type DZ 3832 SC (page 518).

Per pair of slides, one pair of clip-on brackets is required.

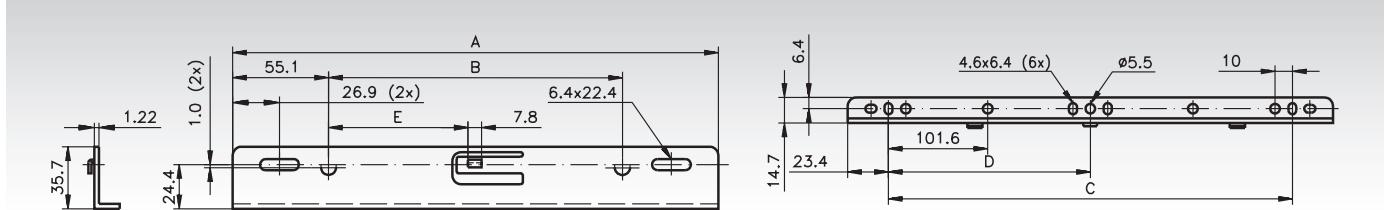
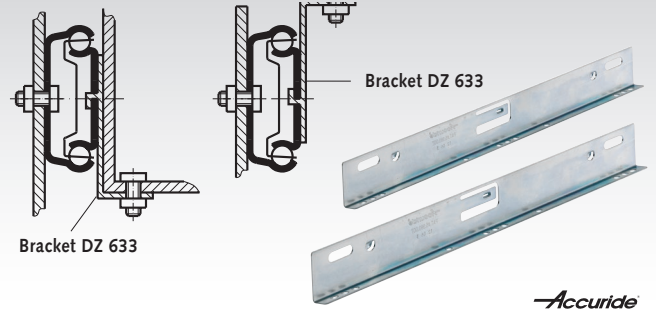
Recommended mounts: M4 screw.

Temperature range: -20°C to +110°C.

Ordering details: e.g.: Prod. No. 649 020 35, 1 Pair of Clip-On Brackets DZ 633,

Zinc-plated, 346.7 mm long

**Mounting Examples**



Product No. Pair of Brackets DZ-zinc bright	can be used for Type 2109/2132 with slide length	can be used for Types 3732/3832 with slide length	A mm	B mm	C mm	D mm	E mm	Weight per Pair kg
649 020 35	-	350	346,7	236,5	300	150	114,4	0,34
649 020 40	400	400	396,7	286,6	350	175	139,4	0,38
649 020 45	450/600/650/700	450	446,8	336,6	400	200	164,4	0,42
649 020 50	500	500	496,8	386,6	450	225	189,4	0,48
649 020 55	550	550/600/650/700	546,8	436,6	500	250	214,4	0,52

### Bracket Accessory Kits DZ 634 for Slides 9301 E and 9308

**Material:** Steel, bright zinc-plated.

**Each kit comprises:** 2 brackets and 4 hexagon screws 6.35 mm with washers and nuts.

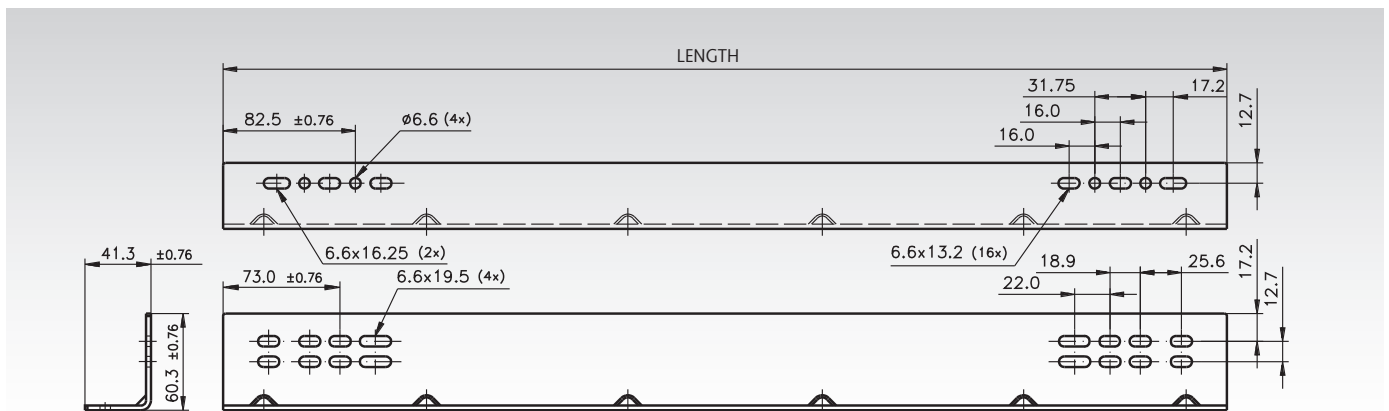
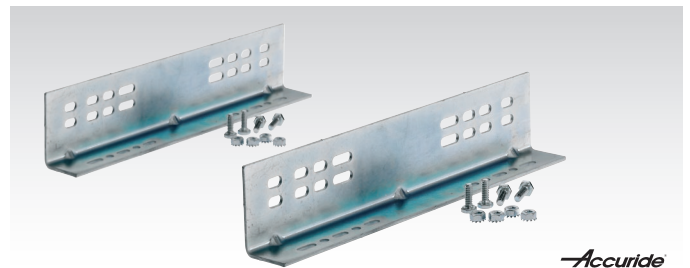
Bracket accessory kits for side or bottom mounting (examples and amount of bracket accessory kits required see selection table page 543).

**Can be used for:** Type DZ 9301 E (page 537) and

Type DZ 9308 (page 539).

Temperature range: -20°C to +110°C.

Ordering details: e.g.: Prod. No. 649 056 12, Bracket Kit DZ 634, 305 mm long



Product No. Kit*	Length mm	Width mm	Height mm	Weight kg	Product No. Kit*	Length mm	Width mm	Height mm	Weight kg
649 056 12	305	41,3	60,3	1,3	649 056 22	559	41,3	60,3	2,4
649 056 16	406	41,3	60,3	1,7	649 056 28	711	41,3	60,3	3,1

\* Amount of kits required for each pair of slides see selection table page 543.