

Locknuts UW with Locking Device, Steel and Stainless Steel

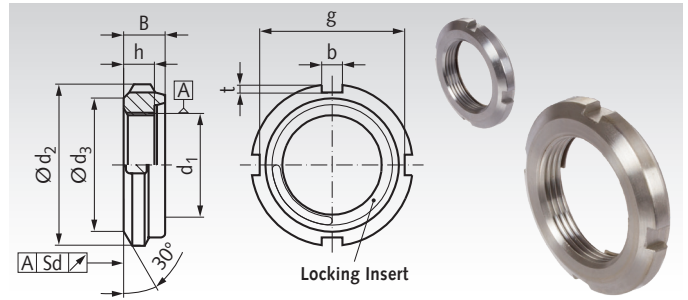
Material:

standard: Body of the nut steel, min. strength 350 N/mm².

stainless: Body of the nut: Stainless steel 1.4305.

Locking insert: Stainless Steel.

With these slotted nuts no additional lock washers, keyways or washers are required. Designed for easy assembly. Maintenance-free construction. The bolt thread has to meet the medium quality of ISO 965.



Ordering Details: e.g.: Product No. 653 430 00, Slot Nut UW, M8x0.75

Product No. standard	Product No. stainless	d ₁ mm	d ₂ ^{-0,5} mm	d ₃ ^{-0,5} mm	g ^{-0,5} mm	b±0,2 mm	t mm	h mm	B mm	Tol. B mm	Sd mm	Weight g
653 428 00	-	M8 x 0,75	16	12	13	3	1,5	4,3	5,3	±0,3	0,05	4,1
653 430 00	653 994 30	M10 x 0,75	18	13	14,4	3	1,8	4	5,2	±0,3	0,05	4,5
653 432 00	653 994 32	M12 x 1	22	17	18,4	3	1,8	4	5,4	±0,3	0,05	8
653 434 00	653 994 34	M15 x 1	25	21	21,4	4	1,8	5	6,5	±0,5	0,05	12
653 437 00	653 994 37	M17 x 1	28	24	24,2	4	1,9	5	6,4	±0,5	0,05	13
653 440 00	653 994 40	M20 x 1	32	26	28,4	4	1,8	6	7,7	±0,5	0,05	23
653 444 00	653 994 44	M25 x 1,5	38	32	34	5	2	7	9,1	±0,5	0,05	36
653 448 00	653 994 48	M30 x 1,5	45	38	41	5	2	7	9,1	±0,8	0,05	45
653 453 00	653 994 53	M35 x 1,5	52	44	48	5	2	8	10,2	±0,8	0,05	70
653 458 00	653 994 58	M40 x 1,5	58	50	53	6	2,5	9	11,2	±0,8	0,05	95
653 462 00	653 994 62	M45 x 1,5	65	56	60	6	2,5	10	12,5	±1,0	0,05	130
653 465 00	653 994 65	M50 x 1,5	70	61	65	6	2,5	11	13,5	±1,0	0,05	160
653 468 00	653 994 68	M55 x 2	75	67	69	7	3	11	13,5	±1,0	0,07	185
653 471 00	653 994 71	M60 x 2	80	73	74	7	3	11	13,5	±1,0	0,07	190
653 472 00	653 994 72	M65 x 2	85	79	79	7	3	12	15,0	±1,5	0,07	235
653 473 00	653 994 73	M70 x 2	92	85	85	8	3,5	12	15,0	±1,5	0,07	265
653 475 00	653 994 75	M75 x 2	98	90	91	8	3,5	13	15,8	±1,5	0,07	320
653 480 00	653 994 80	M80 x 2	105	95	98	8	3,5	15	18,6	±1,5	0,07	430
653 485 00	653 994 85	M85 x 2	110	102	103	8	3,5	16	19,2	±1,5	0,07	495
653 490 00	653 994 90	M90 x 2	120	108	112	10	4	16	20,3	±1,5	0,07	630
653 495 00	653 994 95	M95 x 2	125	113	117	10	4	17	21,3	±1,5	0,07	725
653 499 00	653 994 99	M100 x 2	130	120	122	10	4	18	22,3	±1,5	0,07	770

Please note:

Ensure that there are at least two or three full threads behind the locking insert.

This slot nut must not be used on shafts with keyway.

Lubricate the nut when screwing it onto the shaft.

Larger thread diameters can be supplied on request.

Function:

This system consists of a shaft nut and a special spring, acting as friction ring. This special spring is integrated into the upper part of the nut.

Due to the lead of the thread the special spring locks itself between shaft and nut. **The system is locked in any position!**

Hook Wrenches DIN 1810 form A for Locknuts

Material: High grade tool steel, black oxide finish.

Hook wrenches for locknuts DIN 981 and slotted nuts DIN 1804.

Please note: For some applications like mounting the precision levelling adjusters, there are two wrenches required.

Ordering Details: e.g.: Product No. 653 400 12, Hook Wrench 12-14mm



Product No.	D _m Range mm	Length mm	Thickness mm	Weight g
653 400 12	12 - 14	110	3	25
653 400 16	16 - 20	110	3	25
653 400 25	25 - 28	136	4	45
653 400 30	30 - 32	136	4	50
653 400 34	34 - 36	170	5	90
653 400 40	40 - 42	170	5	90
653 400 45	45 - 50	206	6	155
653 400 52	52 - 55	206	6	160
653 400 58	58 - 62	240	7	260
653 400 68	68 - 75	240	7	255
653 400 80	80 - 90	280	8	410
653 400 95	95 - 100	280	8	405
653 401 10	110 - 115	335	10	745
653 401 20	120 - 130	335	10	720
653 401 35	135 - 145	385	10	1000