

Shaft Collars, Clamp Collars with Thread

Material: Steel C45, black oxide finish, screws steel 12.9.
Stainless steel 1.4305,
screws stainless steel A2-70.

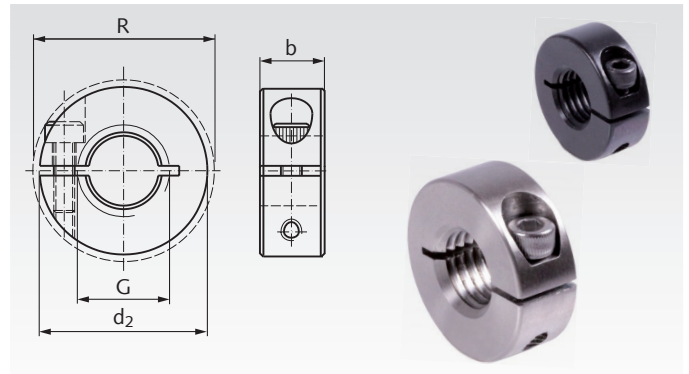


The threads of the screws DIN 912 are covered with a layer of nylon.

Tolerance b: +0.08 mm
-0.25 mm

Max. speed: 4,000 min⁻¹.

Temperature range: -40°C to +175°C.



Ordering Details: e.g.: Product No. 623 604 00, Clamp Collar, M4 Thread

Product No. Steel	Product No. Stainless Steel	G* mm	Pitch mm	d ₂ mm	R _{max.} mm	b mm	Screw DIN912	Weight g
623 604 00	623 996 04	M4	0,7	16	20,7	9	M3 x 8	10
623 605 00	623 996 05	M5	0,8	16	20,7	9	M3 x 8	11
623 606 00	623 996 06	M6	1,0	16	20,7	9	M3 x 8	11
623 608 00	623 996 08	M8	1,25	18	22,4	9	M3 x 8	12
623 610 00	623 996 10	M10	1,5	24	26,0	9	M3 x 10	22
623 612 00	623 996 12	M12	1,75	28	31,8	11	M4 x 12	39
623 616 00	623 996 16	M16	2,0	34	39,4	13	M5 x 14	63
623 620 00	623 996 20	M20	2,5	40	46,4	15	M6 x 16	97
623 624 00	623 996 24	M24	3,0	45	50,8	15	M6 x 16	117
623 630 00	623 996 30	M30	3,5	54	58,6	15	M6 x 18	163

* Metric ISO-standard thread (column 1).

Shaft Collars, Clamp Collars with Thread, Double-Split

Material: Steel C45, black oxide finish, screws steel 12.9.
Stainless steel 1.4305,
screws stainless steel A2-70.

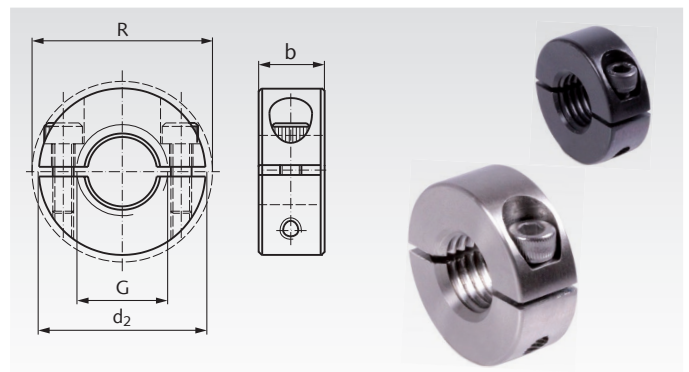


The threads of the screws DIN 912 are covered with a layer of nylon.

Tolerance b: +0.08 mm
-0.25 mm

Max. speed: 4,000 min⁻¹.

Temperature range: -40°C to +175°C.



Ordering Details: e.g.: Product No. 623 904 00, Clamp Collar, M4 Thread

Product No. Steel	Product No. Stainless Steel	G* mm	Pitch mm	d ₂ mm	R _{max.} mm	b mm	Screws DIN912	Weight g
623 904 00	623 999 04	M4	0,7	16	20,7	9	M3 x 8	10
623 905 00	623 999 05	M5	0,8	16	20,7	9	M3 x 8	11
623 906 00	623 999 06	M6	1,0	16	20,7	9	M3 x 8	11
623 908 00	623 999 08	M8	1,25	18	22,4	9	M3 x 8	12
623 910 00	623 999 10	M10	1,5	24	26,0	9	M3 x 10	22
623 912 00	623 999 12	M12	1,75	28	31,8	11	M4 x 12	39
623 916 00	623 999 16	M16	2,0	34	39,4	13	M5 x 14	63
623 920 00	623 999 20	M20	2,5	40	46,4	15	M6 x 16	97
623 924 00	623 999 24	M24	3,0	45	50,8	15	M6 x 16	117
623 930 00	623 999 30	M30	3,5	54	58,6	15	M6 x 18	163

* Metric ISO-standard thread (column 1).