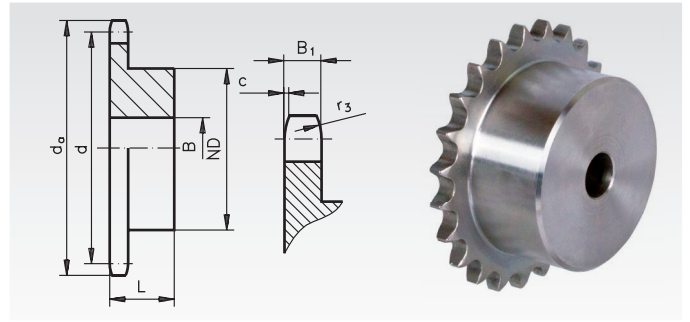


Sprockets KRR Made from Stainless Steel, with One-Sided Hub

Material: Stainless steel 1.4305.
Teeth milled, pre-bored.



Ordering Details: e.g.: Product No. 100 996 13, Sprocket, ISO 04, 13 Teeth, Stainless

ISO 04, Pitch 6 mm, B₁ = 2.6 mm, c = 0.7 mm, r₃ = 6 mm

Product No.	Number of teeth	d _a mm	d mm	ND mm	B mm	L mm	Weight g
100 996 13	13	27,3	25,05	18	8	10	19
100 996 15	15	31,0	28,86	20	8	10	25
100 996 17	17	35,0	32,65	20	8	13	35
100 996 19	19	38,8	36,44	20	8	13	38
100 996 20	20	40,7	38,34	20	8	13	42
100 996 21	21	42,6	40,25	25	8	13	56
100 996 23	23	46,4	44,06	25	8	13	63
100 996 25	25	50,2	47,87	25	8	13	65
100 996 30	30	59,8	57,42	30	8	15	111

ISO 05 B-1, Pitch 8 mm, B₁ = 2.8 mm, c = 0.8 mm, r₃ = 8 mm

Product No.	Number of teeth	d _a mm	d mm	ND mm	B mm	L mm	Weight g
100 998 13	13	36,7	33,42	23	8	13	44
100 998 15	15	41,7	38,48	28	8	13	65
100 998 17	17	46,8	43,53	30	8	14	85
100 998 19	19	51,9	48,61	30	8	14	93
100 998 20	20	54,4	51,14	30	8	14	97
100 998 21	21	57,0	53,68	35	8	14	124
100 998 23	23	62,0	58,75	35	8	14	131
100 998 25	25	67,5	63,83	35	8	14	142
100 998 30	30	79,8	76,53	40	10	16	205
100 998 40	40	105,3	101,97	40	12	16	292

ISO 06 B-1, Pitch 3/8 x 7/32", B₁ = 5.3 mm, c = 1.0 mm, r₃ = 10 mm

Product No.	Number of teeth	d _a mm	d mm	ND mm	B mm	L mm	Weight g
101 991 13	13	43,0	39,79	28	10	25	123
101 991 14	14	46,3	42,80	31	10	25	152
101 991 15	15	49,3	45,81	34	10	25	188
101 991 16	16	52,3	48,82	37	10	28	241
101 991 17	17	55,3	51,83	40	10	28	287
101 991 18	18	58,3	54,85	43	10	28	331
101 991 19	19	61,3	57,87	45	10	28	370
101 991 20	20	64,3	60,89	46	10	28	380
101 991 21	21	68,0	63,91	48	12	28	391
101 991 22	22	71,0	66,93	50	12	28	456
101 991 23	23	73,5	69,95	52	12	28	502
101 991 24	24	77,0	72,97	54	12	28	544
101 991 25	25	80,0	76,00	57	12	28	592
101 991 30	30	94,7	91,12	60	12	28	787
101 991 32	32	101,3	97,17	65	14	30	890
101 991 38	38	119,5	115,35	70	16	30	1109
101 991 40	40	125,5	121,40	70	16	30	1160

ISO 083, Pitch 1/2 x 3/16", B₁ = 4.5 mm, c = 1.3 mm, r₃ = 13 mm

Product No.	Number of teeth	d _a mm	d mm	ND mm	B mm	L mm	Weight g
103 991 12	12	53,9	49,07	35	8	16	138
103 991 13	13	58,4	53,07	39	8	16	170
103 991 15	15	66,8	61,09	47	8	16	243
103 991 16	16	70,9	65,10	50	10	18	299
103 991 17	17	74,9	69,11	50	10	18	318
103 991 18	18	78,9	73,14	50	10	18	330
103 991 19	19	82,9	77,16	50	10	18	344
103 991 20	20	86,9	81,19	50	10	18	364
103 991 21	21	91,0	85,22	60	12	20	511
103 991 23	23	99,0	93,27	60	12	20	544
103 991 25	25	107,1	101,33	60	12	20	586
103 991 30	30	127,5	121,50	70	16	20	833



Reworking within
24h-service possible.
Custom made parts
on request.