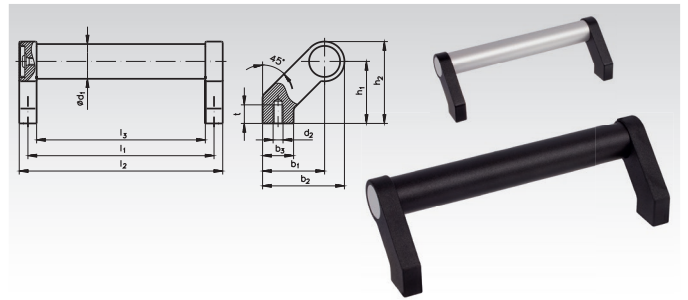


### Tubular Handles 333, with Inclined Feet, Aluminium

**Material:** Grip tube  $\varnothing 28\text{mm} \times 1.5\text{ mm}$  made from Aluminium. Either natural coloured anodised or black plastic coated RAL 9005 matt.  
 Feet made from zinc die cast, black plastic coated RAL 9005 matt.  
 High stability for small sizes. Tube either aluminium silver or black. Grip tube fixed against turning with screws on the face ends (screws below bright grey removable plastic caps).  
**Other sizes on request.**

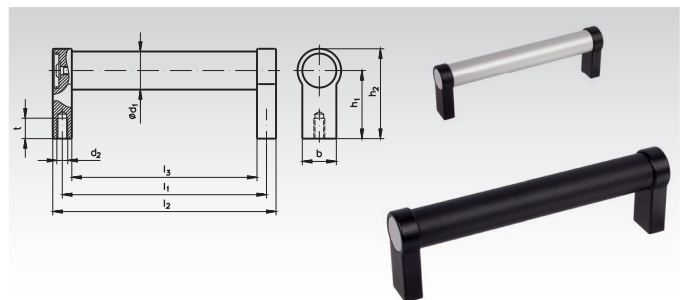


Ordering Details: e.g.: Product No. 666 505 02, Tubular handle 333, aluminium colour, length 200mm

Product No. alu colour	Product No. black	$l_1^{+0,5}$ mm	$d_1$ mm	$d_2$ mm	$b_1$ mm	$b_2$ mm	$b_3$ mm	$h_1$ mm	$h_2$ mm	$l_2$ mm	$l_3$ mm	$t_{\text{min}}$ mm	Weight g
666 505 02	666 505 22	200	28	M8	50	66	25	50	66	214	186	15	432
666 505 04	666 505 24	250	28	M8	50	66	25	50	66	264	236	15	455
666 505 06	666 505 26	300	28	M8	50	66	25	50	66	314	286	15	470
666 505 08	666 505 28	400	28	M8	50	66	25	50	66	414	386	15	530
666 505 10	666 505 30	500	28	M8	50	66	25	50	66	514	486	15	575
666 505 12	666 505 32	600	28	M8	50	66	25	50	66	614	586	15	620

### Tubular Handles 333.1, with Straight Feet, Aluminium

**Material:** Grip tube  $\varnothing 20\text{mm} / \varnothing 28\text{mm} \times 1.5\text{mm}$  made from Aluminium. Either natural coloured anodised or black plastic coated RAL 9005 matt.  
 Feet made from zinc die cast, black plastic coated RAL 9005 matt.  
 High stability for small sizes. Tube either aluminium silver or black. Grip tube fixed against turning with screws on the face ends (screws below bright grey removable plastic caps).  
**Other sizes on request.**

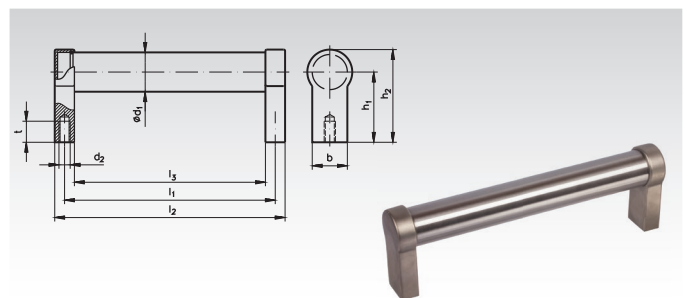


Ordering Details: e.g.: Product No. 666 505 02, Tubular handle 333.1, aluminium colour, length 180mm

Product No. alu colour	Product No. black	$l_1^{+0,2}$ mm	$d_1$ mm	$d_2$ mm	$b$ mm	$h_1$ mm	$h_2$ mm	$l_2$ mm	$l_3$ mm	$t_{\text{min}}$ mm	Weight g
666 505 42	666 505 72	180	20	M6	24	42	54	192	168	12	190
666 505 44	666 505 74	200	20	M6	24	42	54	212	188	12	200
666 505 46	666 505 76	250	20	M6	24	42	54	262	238	12	225
666 505 48	666 505 78	300	20	M6	24	42	54	312	288	12	250
666 505 50	666 505 80	400	20	M6	24	42	54	412	388	12	300
666 505 52	666 505 82	200	28	M8	25	50	66	214	186	15	340
666 505 54	666 505 84	250	28	M8	25	50	66	264	236	15	360
666 505 56	666 505 86	300	28	M8	25	50	66	314	286	15	380
666 505 58	666 505 88	400	28	M8	25	50	66	414	386	15	440
666 505 60	666 505 90	500	28	M8	25	50	66	514	486	15	480
666 505 62	666 505 92	600	28	M8	25	50	66	614	586	15	520

### Tubular Handles 335, with Straight Feet, Stainless Steel

**Material:** Grip tube  $\varnothing 28\text{mm} \times 2\text{ mm}$  made from Stainless Steel 1.4305, silk matt gloss, ground. Feet made from stainless steel, precision cast 1.4308, matt blasted.  
 Very high stability for small sizes.  
 Connection between tube and foot is sealed against water spray.  
**Other sizes on request.**



Ordering Details: e.g.: Product No. 666 995 52, Tubular handle 335, length 200 mm

Product No. stainless	$l_1^{+1}$ mm	$d_1$ mm	$d_2$ mm	$b$ mm	$h_1$ mm	$h_2$ mm	$l_2$ mm	$l_3$ mm	$t_{\text{min}}$ mm	Weight g
666 995 52	200	28	M8	25	50	66	214	186	15	500
666 995 54	250	28	M8	25	50	66	264	236	15	565
666 995 56	300	28	M8	25	50	66	314	286	15	630
666 995 58	400	28	M8	25	50	66	414	386	15	760
666 995 60	500	28	M8	25	50	66	514	486	15	890
666 995 62	600	28	M8	25	50	66	614	586	15	1020