

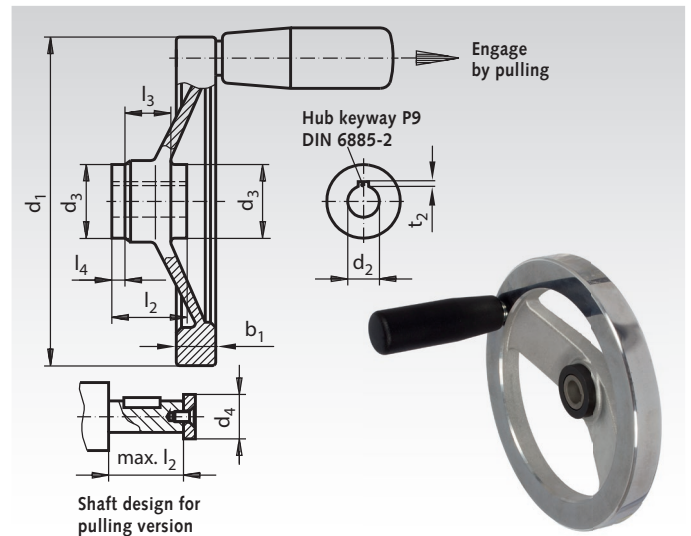
Safety Handwheels SHR

Material: Aluminium, polished. Coupling attachment assembled. Can only be supplied with revolving, cylindrical handle made from plastic with threaded steel bolt and with hub keyway.

According to safety regulations, handwheels must be mounted on the shaft in such a way that they do not rotate along with the machine drive. Safety handwheels comply with this regulation.

Procedure: Wheel disengaged if not used. By axial displacement of the wheel (pulling) the two serrated wheel rims are engaged. The wheel is now positively keyed to the shaft. When the wheel is released, it automatically disengages. The coupling elements are assembled together in an enclosed unit. Coupling attachment made from steel, nitrided, bearing surface ground and PTFE coated, for minimal friction between bearing surfaces and high wear resistance. An oil hole is provided, which serves to be connected to a pressure oiler in the wheel hub. Frequent lubrication is an important precondition in guaranteeing the correct functioning of the plain-bearing coupling attachment. The range of application of these handwheels is limited to low shaft speeds, or to higher speeds of only short duration (e.g. feed screws for milling machine table with rapid feed).

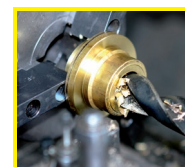
We assume no liability for any consequential damage.



The coupling attachments can also be supplied separately, to be mounted with existing handwheels. Prices on request.

Ordering Details: e.g.: Product No. 670 612 00, Safety Handwheel SHR, 125 mm

Product No.	d ₁ mm	d ₂ ^{H7} mm	d ₃ mm	d ₄ max. mm	b ₁ mm	l ₂ mm	l ₃ mm	l ₄ mm	t ₂ mm	Handle-Ø mm	Handlelength mm	Weight g
670 612 00	125	12	28	17	15	28,5	18	5	1,1	23	67,5	552
670 614 00	140	12	28	17	16,5	28,5	18	5	1,1	23	67,5	660
670 616 00	160	14	32	21	18	32,5	20	6	1,3	26	82,5	907
670 620 00	200	18	38	26	20,5	36,5	24	6	1,7	26	82,5	1324
670 625 00	250	22	45	30	23	47,5	28	12	1,7	28	92,5	2122



Reworking within
24h-service possible.
Custom made parts
on request.