

Helical Gear Boxes BT/I with Two Shaft Ends

Casing: Cast iron casing with thick walls and ribbed construction, sealed against oil leaks and dust.

Gears: Special steel, extremely hard wearing and case hardened. Smooth-running helical gear wheels with ground or scraped tooth profiles.

Bearing: Generously dimensioned bearings as standard version (heavy-duty bearings for higher overhung or thrust loads available at extra cost).

Lubrication: The gear boxes are delivered ready for work, filled with the correct level of oil or grease, which offers sufficient lubrication for about 10,000 operation hours, or for an operation period of max. 2 years, at a temperature of -30 to +80°C.

Before start up, the plastic plug must be taken out of the venting screw, otherwise excess pressure will build up inside the gearbox.

Ordering details: e.g.: Type, Size, Ratio, Model, Product No.



Size 1

Product No. Model B3	Ratio i	at $f_B = 1$ Mn_2 Nm	at $n_1 = 1380 \text{ min}^{-1}$ * n_2 min^{-1}	P kW	Permissible n_1 * min^{-1}	Weight kg
400 100 01	2,90	24,2	476	1,27	4000	6,5
400 100 02	3,10	25,9	445	1,27	4000	6,5
400 100 03	3,31	27,6	417	1,27	4000	6,5
400 100 04	3,55	29,6	389	1,27	4000	6,5
400 100 05	3,81	31,8	362	1,27	4000	6,5
400 100 06	4,10	34,2	337	1,27	4000	6,5
400 100 07	4,43	37	311	1,27	4000	6,5
400 100 08	4,81	40,2	287	1,27	4000	6,5
400 100 09	5,23	43,7	264	1,27	4000	6,5
400 100 10	5,73	48	241	1,27	4000	6,5
400 100 11	6,30	50	219	1,21	4000	6,5
400 100 12	6,98	50	198	1,05	4000	6,5
400 100 13	7,79	33,3	177	0,65	4000	6,5
400 100 14	8,31	35,5	166	0,65	4000	6,5
400 100 15	8,89	38	155	0,65	4000	6,5
400 100 16	9,52	40,7	145	0,65	4000	6,5
400 100 17	10,23	43,7	135	0,65	4000	6,5
400 100 18	11,02	47,1	125	0,65	4000	6,5
400 100 19	11,90	50	116	0,64	4000	6,5
400 100 20	12,91	50	107	0,59	4000	6,5
400 100 21	14,06	50	98	0,54	4000	6,5
400 100 22	15,38	50	90	0,49	4000	6,5
400 100 23	16,93	50	82	0,45	4000	6,5
400 100 24	18,75	50	74	0,41	4000	6,5
400 100 25	21,11	40	65	0,29	4000	6,5
400 100 26	22,52	43	61	0,29	4000	6,5
400 100 27	24,08	46	57	0,29	4000	6,5
400 100 28	25,80	50	53	0,29	4000	6,5
400 100 29	27,71	50	50	0,27	4000	6,5
400 100 30	29,85	50	46	0,25	4000	6,5
400 100 31	32,25	50	43	0,24	4000	6,5
400 100 32	34,97	50	39	0,22	4000	6,5
400 100 33	38,09	50	36	0,20	4000	6,5
400 100 34	41,68	50	33	0,18	4000	6,5
400 100 35	45,87	50	30	0,17	4000	6,5
400 100 36	50,82	50	27	0,15	4000	6,5

* Lower and higher inputs than the given speeds n_1 are possible. Please enquire before application.
Dimensions tables see page 707.

Connecting Shafts Page 806



Helical Gear Boxes BT/I with Two Shaft Ends

Size 2

Product No. Model B3	Ratio i	at $f_B = 1$ Mn_2 Nm	at $n_1 = 1380 \text{ min}^{-1}$ * n_2 min^{-1}	P kW	Permissible n_1^* min^{-1}	Weight kg
400 110 01	2,39	68	579	3	4000	8
400 110 03	2,59	74	534	3	4000	8
400 110 04	2,81	80	491	3	4000	8
400 110 05	3,07	87	450	3	4000	8
400 110 06	3,36	96	411	3	4000	8
400 110 07	3,70	100	373	3	4000	8
400 110 08	4,03	100	343	3	4000	8
400 110 09	4,43	100	312	3	4000	8
400 110 10	4,90	100	282	3	4000	8
400 110 11	5,46	100	253	2,79	4000	8
400 110 12	6,13	100	225	2,48	4000	8
400 110 13	7,04	98	196	2,12	4000	8
400 110 14	7,68	100	180	1,98	4000	8
400 110 15	8,41	100	164	1,81	4000	8
400 110 16	9,26	100	149	1,64	4000	8
400 110 17	10,24	100	135	1,49	4000	8
400 110 18	11,40	100	121	1,33	4000	8
400 110 19	12,80	100	108	1,19	4000	8
400 110 20	13,57	98	102	1,10	4000	8
400 110 21	14,80	100	93	1,03	4000	8
400 110 23	16,21	100	83	0,94	4000	8
400 110 24	17,84	100	77	0,85	4000	8
400 110 25	19,73	100	71	0,77	4000	8
400 110 26	21,00	93	66	0,67	4000	8
400 110 27	22,76	96	61	0,64	4000	8
400 110 28	24,75	98	56	0,60	4000	8
400 110 29	27,00	100	51	0,56	4000	8
400 110 30	29,57	100	47	0,51	4000	8
400 110 31	32,54	100	42	0,47	4000	8
400 110 32	36,00	100	38	0,42	4000	8
400 110 33	40,09	100	34	0,38	4000	8
400 110 34	45,00	100	31	0,34	4000	8
400 110 35	51,00	100	27	0,30	4000	8

Size 3

Product No. Model B3	Ratio i	at $f_B = 1$ Mn_2 Nm	at $n_1 = 1380 \text{ min}^{-1}$ * n_2 min^{-1}	P kW	Permissible n_1^* min^{-1}	Weight kg
400 120 01	2,13	117	648	8,36	4000	13
400 120 03	2,51	138	550	8,37	4000	13
400 120 06	2,99	165	462	8,40	4000	13
400 120 08	3,62	200	382	8,41	4000	13
400 120 10	4,01	200	344	7,59	4000	13
400 120 12	5,03	200	275	6,05	4000	13
400 120 14	6,04	184	229	4,64	4000	13
400 120 15	6,69	200	206	4,55	4000	13
400 120 16	7,47	200	185	4,07	4000	13
400 120 17	8,40	200	164	3,62	4000	13
400 120 18	9,53	200	145	3,19	4000	13
400 120 19	9,62	183	143	2,89	4000	13
400 120 20	10,56	200	131	2,88	4000	13
400 120 21	11,64	200	119	2,61	4000	13
400 120 22	12,91	200	107	2,36	4000	13
400 120 23	14,40	200	96	2,11	4000	13
400 120 24	16,19	200	85	1,88	4000	13
400 120 25	18,38	200	75	1,65	4000	13
400 120 26	19,60	200	70	1,55	4000	13
400 120 27	21,61	200	64	1,41	4000	13
400 120 28	23,96	200	58	1,27	4000	13
400 120 29	26,73	200	52	1,14	4000	13
400 120 30	28,15	200	49	1,08	4000	13
400 120 31	30,90	200	45	0,98	4000	13
400 120 32	34,07	200	41	0,89	4000	13
400 120 33	37,77	200	37	0,81	4000	13
400 120 34	42,14	200	33	0,72	4000	13
400 120 35	47,38	200	29	0,64	4000	13
400 120 36	53,79	200	26	0,57	4000	13

* Lower and higher inputs than the given speeds n_1 are possible. Please enquire before application.
Dimensions tables see page 707.

Helical Gear Boxes BT/I with Two Shaft Ends

Size 4

Product No. Model B3	Ratio i	at $f_B = 1$ Mn_2 Nm	at $n_1 = 1400 \text{ min}^{-1}$ * n_2 min^{-1}	P kW	Permissible n_1^* min^{-1}	Weight kg
400 130 01	2,22	147	632	10,20	4000	21
400 130 03	2,40	159	584	10,20	4000	21
400 130 05	2,83	188	495	10,30	4000	21
400 130 07	3,38	225	414	10,30	4000	21
400 130 09	4,12	274	340	10,30	4000	21
400 130 10	4,59	300	305	10,10	4000	21
400 130 11	5,16	300	272	8,98	4000	21
400 130 12	5,29	226	265	6,60	4000	21
400 130 13	5,89	252	238	6,60	4000	21
400 130 14	6,62	283	212	6,60	4000	21
400 130 15	6,82	181	205	4,10	4000	21
400 130 17	8,10	215	173	4,10	4000	21
400 130 18	8,87	236	158	4,11	4000	21
400 130 19	9,77	260	143	4,11	4000	21
400 130 20	10,81	287	130	4,10	4000	21
400 130 21	12,04	300	116	3,84	4000	21
400 130 22	13,52	300	104	3,42	4000	21
400 130 23	14,19	202	99	2,20	4000	21
400 130 24	15,39	219	91	2,20	4000	21
400 130 25	16,75	239	84	2,20	4000	21
400 130 26	18,28	261	77	2,20	4000	21
400 130 27	20,03	286	70	2,20	4000	21
400 130 28	22,05	300	64	2,10	4000	21
400 130 29	24,40	300	57	1,90	4000	21
400 130 30	27,19	300	52	1,70	4000	21
400 130 31	30,53	300	46	1,52	4000	21
400 130 32	33,42	300	42	1,39	4000	21
400 130 33	36,99	300	38	1,25	4000	21
400 130 34	41,21	300	34	1,12	4000	21
400 130 35	46,28	300	30	1,00	4000	21

Size 5

Product No. Model B3	Ratio i	at $f_B = 1$ Mn_2 Nm	at $n_1 = 1400 \text{ min}^{-1}$ * n_2 min^{-1}	P kW	Permissible n_1^* min^{-1}	Weight kg
400 140 01	2,11	140	665	10,30	4000	28
400 140 03	2,29	152	611	10,20	4000	28
400 140 05	2,50	166	560	10,20	4000	28
400 140 07	2,74	182	512	10,30	4000	28
400 140 08	3,01	200	466	10,30	4000	28
400 140 10	3,32	221	422	10,30	4000	28
400 140 11	3,68	245	380	10,30	4000	28
400 140 12	4,11	274	340	10,30	4000	28
400 140 13	4,63	308	302	10,30	4000	28
400 140 14	5,26	350	266	10,30	4000	28
400 140 15	5,94	254	236	6,60	4000	28
400 140 16	6,75	289	207	6,61	4000	28
400 140 17	7,18	191	195	4,11	4000	28
400 140 18	7,89	210	178	4,11	4000	28
400 140 19	8,70	231	161	4,10	4000	28
400 140 20	9,66	257	145	4,11	4000	28
400 140 21	10,79	287	130	4,10	4000	28
400 140 22	12,14	323	115	4,10	4000	28
400 140 23	13,80	367	101	4,10	4000	28
400 140 24	14,80	211	95	2,20	4000	28
400 140 25	16,20	231	86	2,20	4000	28
400 140 26	17,80	254	79	2,20	4000	28
400 140 27	19,65	280	71	2,20	4000	28
400 140 28	21,81	311	64	2,20	4000	28
400 140 29	24,36	347	58	2,20	4000	28
400 140 30	27,42	391	51	2,20	4000	28
400 140 31	31,15	444	45	2,20	4000	28
400 140 32	33,06	314	42	1,47	4000	28
400 140 33	36,92	351	38	1,47	4000	28
400 140 34	41,56	395	34	1,47	4000	28
400 140 35	47,22	450	30	1,47	4000	28

* Lower and higher inputs than the given speeds n_1 are possible. Please enquire before application.

Dimensions tables see page 707.

Helical Gear Boxes BT/I with Two Shaft Ends

Size 6

Product No. Model B3	Ratio i	at $f_B = 1$ Mn_2 Nm	at $n_1 = 1420 \text{ min}^{-1}$ * n_2 min^{-1}	P kW	Permissible n_1^* min^{-1}	Weight kg
400 150 01	2,38	294	597	19,30	4000	32
400 150 03	2,82	349	503	19,30	4000	32
400 150 05	3,40	420	418	19,30	4000	32
400 150 07	3,75	463	379	19,30	4000	32
400 150 09	4,65	574	306	19,30	4000	32
400 150 11	5,63	405	252	11,20	4000	32
400 150 12	6,22	447	228	11,20	4000	32
400 150 13	6,9	496	206	11,20	4000	32
400 150 14	7,71	554	184	11,20	4000	32
400 150 15	8,68	623	164	11,20	4000	32
400 150 16	9,86	700	144	11,10	4000	32
400 150 17	10,90	566	130	8,10	4000	32
400 150 18	12,18	632	117	8,10	4000	32
400 150 19	13,71	700	104	8,00	4000	32
400 150 20	15,58	700	91	7,00	4000	32
400 150 22	18,13	683	78	5,89	4000	32
400 150 24	20,13	700	71	5,44	4000	32
400 150 25	22,48	700	63	4,87	4000	32
400 150 26	25,30	700	56	4,33	4000	32
400 150 27	28,00	700	51	3,91	4000	32
400 150 28	31,27	700	45	3,50	4000	32
400 150 29	35,20	700	40	3,11	4000	32
400 150 30	37,92	700	38	2,89	4000	32
400 150 31	42,68	700	33	2,57	4000	32
400 150 32	48,50	700	29	2,26	4000	32

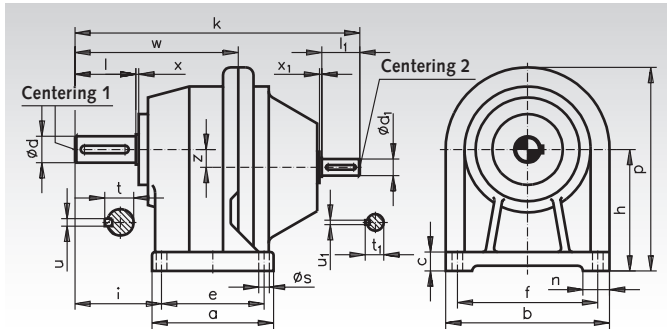
Size 7

Product No. Model B3	Ratio i	at $f_B = 1$ Mn_2 Nm	at $n_1 = 1420 \text{ min}^{-1}$ * n_2 min^{-1}	P kW	Permissible n_1^* min^{-1}	Weight kg
400 160 01	2,38	294	597	19,30	4000	34
400 160 03	2,82	349	503	19,30	4000	34
400 160 05	3,40	420	418	19,30	4000	34
400 160 07	3,75	463	379	19,30	4000	34
400 160 09	4,65	574	306	19,30	4000	34
400 160 11	5,63	405	252	11,20	4000	34
400 160 12	6,22	447	228	11,20	4000	34
400 160 13	6,90	496	206	11,20	4000	34
400 160 14	7,71	554	184	11,20	4000	34
400 160 15	8,68	623	164	11,20	4000	34
400 160 16	9,86	700	144	11,10	4000	34
400 160 17	10,90	566	130	8,10	4000	34
400 160 18	12,18	632	117	8,10	4000	34
400 160 19	13,71	700	104	8,00	4000	34
400 160 20	15,58	700	91	7,00	4000	34
400 160 22	18,13	683	78	5,89	4000	34
400 160 24	20,13	700	71	5,44	4000	34
400 160 25	22,48	700	63	4,87	4000	34
400 160 26	25,30	700	56	4,33	4000	34
400 160 27	28,00	700	51	3,91	4000	34
400 160 28	31,27	700	45	3,50	4000	34
400 160 29	35,20	700	40	3,11	4000	34
400 160 30	37,92	700	38	2,89	4000	34

* Lower and higher inputs than the given speeds n_1 are possible. Please enquire before application.
Dimensions tables see page 707.

Dimension Table for Helical Gearboxes BT/I With Two Shaft Ends

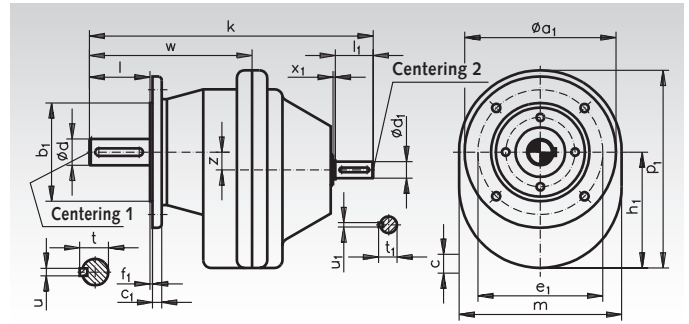
Foot Mounting Model B 3



The shaft ends $\varnothing d$ are machined according to ISO k6.
Feather keys according to DIN 6885.

Size	a	b	c	\varnothing		e	f	h	h ₁	i	k	m	n	p	p ₁	s	t	t ₁	u	u ₁	w	x	x ₁	z	Centering	
				d ₁ x l ₁	d ₂ x l ₂																				1	2
1	78	130	12	16x40	11x23	50	110	86	84	52	210	120	20	146	144	9	18	12,5	5	4	120	2	2	0	M5	M4
2	110	135	14	20x40	14x30	85	105	102	101	67,5	232	135	30	170	169	9	22,5	16	6	5	129	2	2	0	M6	M5
3	124	154	16	25x60	16x40	100	130	125	123	97	289	154	24	202	200	11	28	18	8	5	169	3	2	0	M10	M5
4	175	190	20	30x70	22x50	140	155	130	128	115	370	170	35	215	213	14	33	24,5	8	6	208	3	2	0	M10	M8
5	160	215	25	35x80	22x50	135	185	160	153	114	375	215	35	268	261	14	38	24,5	10	6	215	4	2	23,5	M12	M8
6	164	215	25	40x80	25x60	134	175	175	173	120	386	215	40	283	281	14	43	28	12	8	224	4	2	0	M16	M10
7	164	215	25	50x100	25x60	134	175	175	173	140	406	215	40	283	281	14	53,5	28	14	8	244	4	2	0	M16	M10

Flange Mounting Model B 5



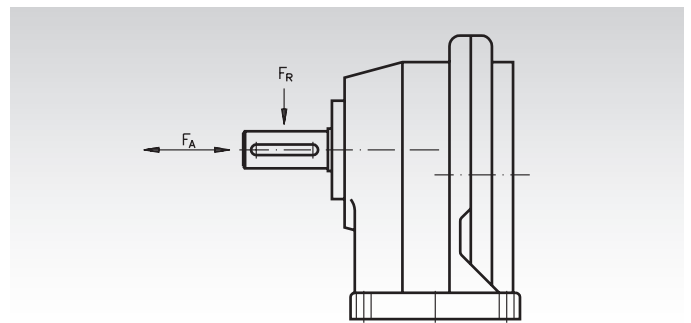
Selection of available flanges: Mountings according to DIN 42948.
Up to 300 mm diameter a_1 the recess $\varnothing b_1$ of the output flanges is manufactured according to ISO j6, over 300mm according to ISO h6.

Size	$\varnothing a_1$	$\varnothing b_1$	c_1	$\varnothing e_1$	f_1	s_1
1	120	80	10	100	3	4 x $\varnothing 7$
3	140	95	10	115	3	4 x $\varnothing 9$
4	160	110	10	130	3,5	4 x $\varnothing 9$
5	200	130	12	165	3,5	4 x $\varnothing 11$
6	250	180	16	215	4	4 x $\varnothing 14$
7	300	230	20	265	4	4 x $\varnothing 14$

Permissible Radial and Axial Loads of the Output Shaft

Size	Output Speeds n_2 [min ⁻¹]						
	16	25	36	50	80	125	≥ 130
1 F_R [N]	600	500	450	400	350	300	250
1 F_A [N]	450	400	350	320	300	250	200
2 F_R [N]	1250	1100	1000	900	800	700	600
2 F_A [N]	500	450	400	360	320	280	250
3 F_R [N]	2000	1800	1700	1600	1500	1300	1200
3 F_A [N]	800	720	680	640	600	520	480
4 F_R [N]	3000	2700	2500	2300	2100	1700	1500
4 F_A [N]	1200	1080	1000	920	840	680	600
5 F_R [N]	3600	3400	3150	2900	2500	2000	1800
5 F_A [N]	1440	1370	1260	1150	1010	800	720
6 F_R [N]	4000	3800	3500	3200	2800	2200	2000
6 F_A [N]	1600	1520	1400	1280	1120	880	800
7 F_R [N]	10400	9880	9100	8320	7280	5720	5200
7 F_A [N]	4160	3950	3640	3330	2910	2290	2080

Size 7 is as standard equipped with a stronger bearing system.



The stated values for radial load (F_R) assume that the impact of the load is in the centre of the shaft length (see drawing). If both radial and axial forces occur, the permissible radial force (F_R) indicated in the table is reduced by the value of the occurring axial force (F_A).

Gearbox Selection for Operating Factors Larger Than $f_B = 1$

In addition to the input power (P) and output speed (n_2) you also enter the respective **operating factor** (f_B) into the formula. When selecting the gearbox from the table, the table value (M_n) **must be no smaller than** the calculated figure (M_n).

$$M_{n_2} = \frac{P \times 9550}{n_2} \times f_B$$

M_{n_2} [Nm] = Output torque.

P [kW] = Input power.

n_2 [min⁻¹] = Output speed.

f_B = Operating factor.