

Small Worm Geared Motors SFS Size 3 with DC Motor 24V

Housing: Motor: Steel, zinc-plated. Gearbox: Aluminium.
Can be mounted in any position.

Teeth: Worm gear set made from plastic.

Bearing: Output side, plain bearing, motor side, ball bearing.

Lubrication: Maintenance free grease lubrication.

Motor: Brushed DC motor 24 V, interference-free.

Change the direction of rotation by switching the polarity.

Protection class: IP 30.

Operating mode: S2-10 min.

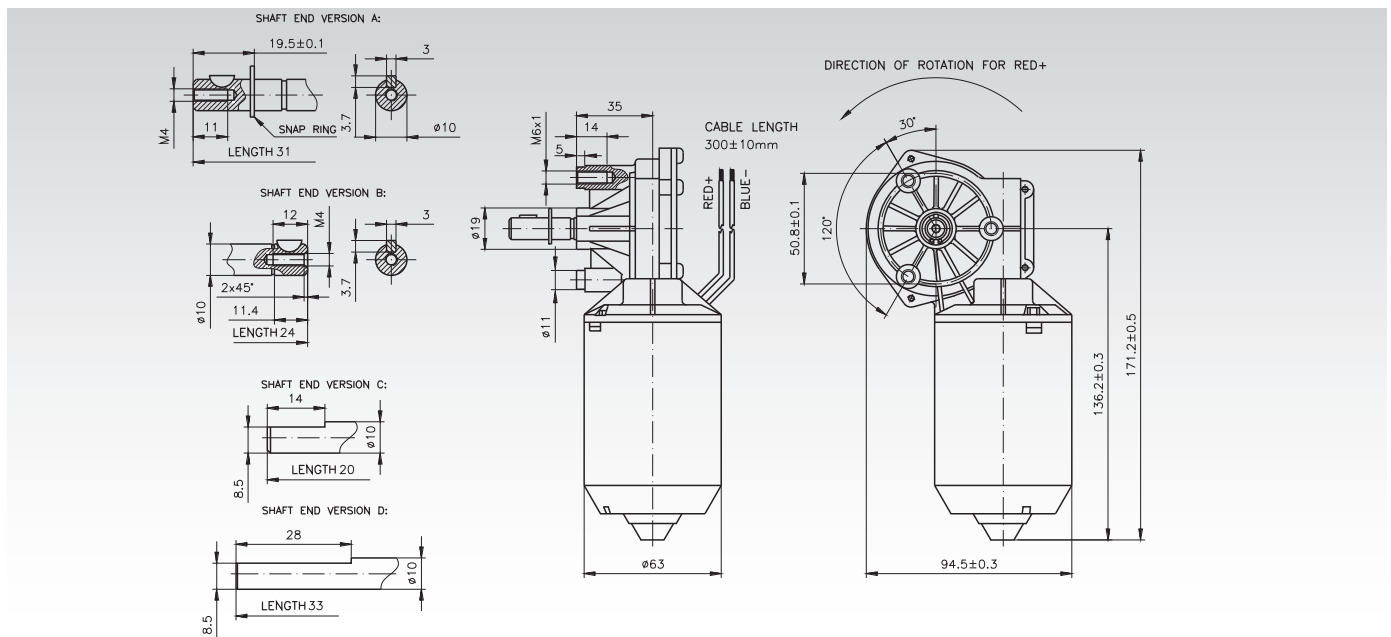
Permissible ambient operating temperature: -10 to +60°C.

Caution: Output shaft and shaft form side as per the table.



Picture:
Output shaft right

Ordering Details: e.g.: Type, idle speed, Product No.



Product No. 24V	Idle Speed n_0 min ⁻¹	Nominal Speed n_N min ⁻¹	Nominal Torque M_N Nm	Nominal Current I_N A	Nominal Power P_N W	Tightening Torque M_A Nm	Ratio i	Output-Shaft Side	Shaft-end Type	Weight g
430 480 24	13	7,4	6,0	1,0	4,6	14,0	69:1	right	A	1100
430 481 24	35	24,7	10,0	2,9	26,0	34,0	69:1	right	B	1100
430 482 24	50	41,0	2,5	1,0	11,0	14,0	52:2	left	A	1100
430 484 24	110	88,0	3,3	2,9	30,0	17,0	52:2	left	A	1100
430 486 24	180	170,0	2,0	2,4	23,0	25,0	52:2	right	A	1100
430 487 24	230	192,0	1,5	2,7	30,0	7,5	41:4	left	C	1100
430 488 24	280	249,0	1,5	3,0	26,0	9,5	41:4	left	D	1100
430 489 24	560	543,0	0,5	5,3	56,0	14,0	41:4	right	D	1100

Permissible radial shaft load F_R : 120 N (10 mm from bearing collar).

Permissible axial shaft load F_A : 15 N tensile load or 10 N compressive load.

Note

All values are averages, measured with the motor cold. Deviations of 10% are possible.

To prevent the gearbox from being overloaded, the stated limit loads must not be exceeded.

Other types on request.

Speed controllers
Page 741



Factory interference suppression

