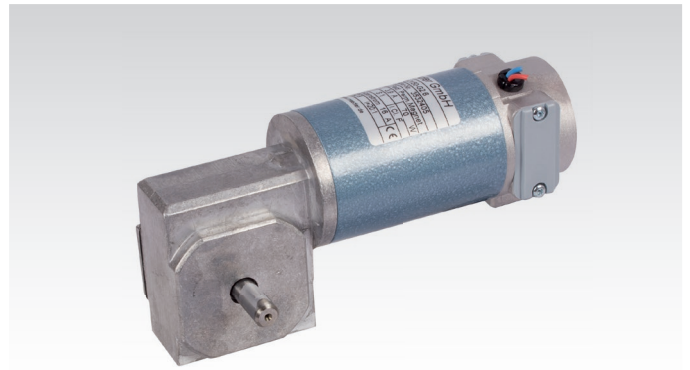
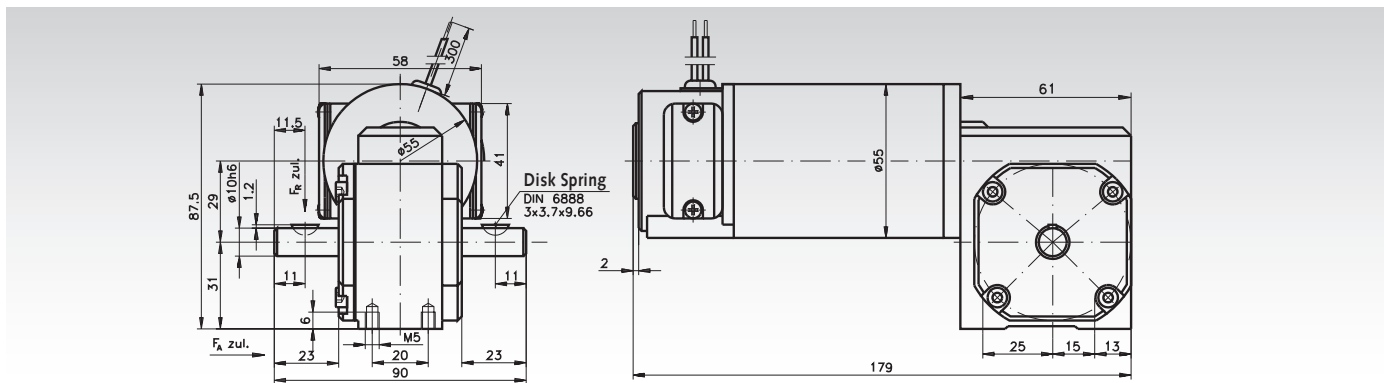


Small Geared Motor SE with DC Motor, Size 3

Housing: Aluminium, sealed against lubricant leaks and protected against dust, can be mounted in any position.
Teeth: Worm gear made from plastic, worm made from steel, ground. Not self-locking.
Bearing: Motor and gearbox with roller bearing.
Lubrication: Maintenance free grease lubrication.
Motor: Brushed DC motor 24 V.
 Worm pinned on motor shaft. Free lead ends.
 Sense of rotation can be changed by swapping leads over.
 Protection class: IP 41.
 Insulation class: F.
 Operating mode: S1.



Ordering Details: e.g.: Type, Size 3, Voltage, Output Speed, Product No.



Size 3

Product No. 24 V	Nominal Output Speed min ⁻¹	Ratio i	Nominal Motor Speed min ⁻¹	max. continous Torque Nm	max. Starting Torque Nm	Nominal Motor Power W	Output Power W	Gearbox Efficiency %	Weight kg
430 430 24	833	4,8:1	4000	0,70	7,0	70	57	82	1,6
430 431 24	625	4,8:1	3000	0,70	7,0	55	45	82	1,6
430 432 24	429	9,33:1	4000	1,30	7,0	70	56	80	1,6
430 433 24	333	12:1	4000	1,60	7,0	70	56	80	1,6
430 434 24	276	14,5:1	4000	1,95	7,0	70	56	80	1,6
430 435 24	200	20:1	4000	2,40	8,0	70	49	70	1,6
430 436 24	160	25:1	4000	2,70	8,0	68	45	66	1,6
430 437 24	133	30:1	4000	3,00	7,0	63	42	67	1,6
430 438 24	100	30:1	3000	3,20	7,0	52	34	66	1,6
430 439 24	83	36:1	3000	2,40	5,0	34	21	62	1,6

Permissible radial shaft load F_R : 150 N (middle shaft).

Permissible axial shaft load F_A : 60 N.

Tolerances +/- 10%.

Note

The efficiency stated in the table is valid for properly run-in gearboxes at operating temperature. To prevent the gearbox from being overloaded, the stated limit loads must not be exceeded. At reversed operation the limit loads must be multiplied with the factor 0.75.

Optionally also available with DC speed sensor, incremental encoder and brake.