

Output Flanges for Helical Geared Motors HR/I

Material: Aluminium.

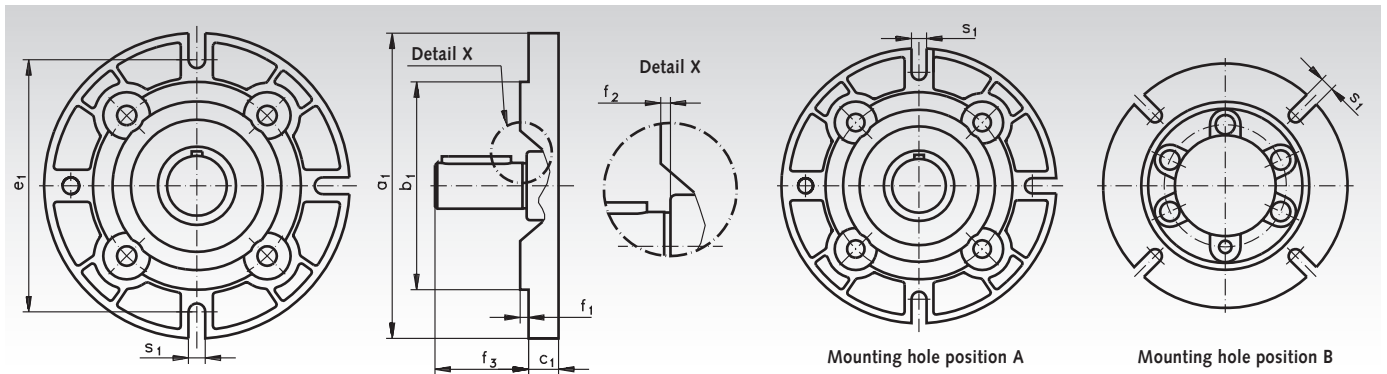
Output-side flange for helical geared motor HR/I to be mounted by the customer, for modification from foot mounting B3 to flange mounting B5.

For every gearbox size there are flanges in several, common diameters available.

The flange is supplied with the required mounting screws and can be easily screwed on. The screwed on foot mounting can be taken off the gearbox, if required.



Ordering details: e.g.: Prod. No. 432 020 12, Output Flange for Gearbox Size 20/2 and 30/2



Output Flange Gearbox Size 20/2 and 30/2

Product No.	a ₁ mm	b ₁ mm	c ₁ mm	e ₁ mm	f ₁ mm	f ₂ mm	f ₃ mm	s ₁ mm	Mount. Hole Position	Weight kg
432 020 12	120	80	11,5	100	3,0	6,5	36,5	9	A	0,23
432 020 14	140	95	11,5	115	3,0	6,5	36,5	9	B	0,32
432 020 16	160	110	11,5	130	3,5	7,0	36,5	9	B	0,41
432 020 20	200	130	11,5	165	3,5	7,0	36,5	11	B	0,61

Output Flange Gearbox Size 40/2 and 40/3

Product No.	a ₁ mm	b ₁ mm	c ₁ mm	e ₁ mm	f ₁ mm	f ₂ mm	f ₃ mm	s ₁ mm	Mount. Hole Position	Weight kg
432 040 12	120	80	10	100	3,0	6,0	47	9	B	0,24
432 040 14	140	95	10	115	3,0	6,0	47	9	B	0,32
432 040 16	160	110	10	130	3,0	6,0	47	9	B	0,42
432 040 20	200	130	11	165	3,5	6,5	47	11	B	0,67

Output Flange Gearbox Size 50/2, 50/3 und 60/3

Product No.	a ₁ mm	b ₁ mm	c ₁ mm	e ₁ mm	f ₁ mm	f ₂ mm	f ₃ Size 50 mm	f ₃ Size 60 mm	s ₁ mm	Mount. Hole Position	Weight kg
432 050 16	160	110	14,0	130	3,5	6,0	57,5	67,5	9	B	0,52
432 050 20	200	130	13,0	165	3,5	6,0	57,5	67,5	11	B	0,71
432 050 25	250	180	15,5	215	4,0	6,5	57,5	67,5	14	B	1,24

Lubricant Volume in Litre (dm³)

The gearbox is lubricated for life, using synthetic oil. At normal operating conditions, no change is required. The lubricant volume is the same for all mounting positions.

Size	20/2	30/2	40/2	40/3	50/2	50/3	60/3
Oil volume	0.15	0.15	0.40	0.45	1.10	1.15	1.25